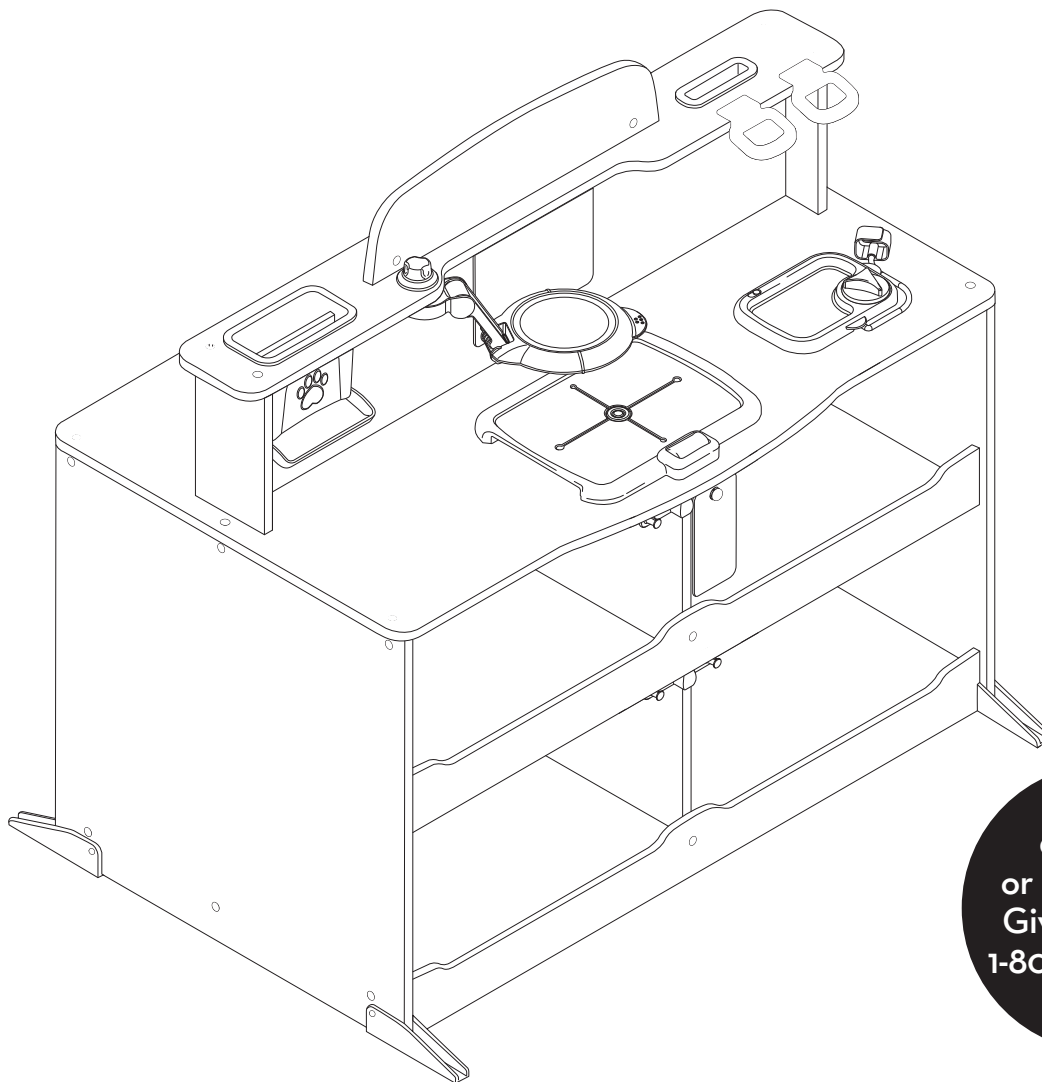




Animal Care Activity Center

ASSEMBLY INSTRUCTIONS



Have a question or need help? Give us a call! 1-800-284-3948

Assembly Instructional Video Available at MelissaAndDoug.com/animalcenter

Melissa & Doug

We ♥ feedback! Call us: 1-800-284-3948

MelissaAndDoug.com

Item #31700

Ages 3+

Melissa & Doug products meet or exceed all U.S. toy testing standards and pass our high quality requirements.

© Melissa & Doug, LLC, P.O. Box 590, Westport, CT 06881
MADE IN CHINA

WARNING:
ADULT ASSEMBLY REQUIRED.
Contains small parts before assembly.



DO NOT use power tools to assemble. Using power tools will cause product to crack!

DO NOT OVER-TIGHTEN! Over-tightening will cause product to crack!

THANK YOU!

Thank you for choosing the Melissa & Doug Animal Care Activity Center! It's a terrific way to help spark a child's creativity and imagination, and to inspire animal lovers for years to come.

NOW IT'S TIME TO PUT IT TOGETHER!

Don't worry, assembling your new activity center is simple, and we're here to help. It may go a little faster with a partner to lend a hand, but we've made it so one person can assemble the center. Here are a few tips before you begin:

- Read through all the instructions first.
- Clear a flat, covered space (carpeted is best) to lay out all the materials so everything is close at hand.
- You will need a Phillips head screwdriver and the included wrench to assemble the center.
- The instructions include lots of helpful pictures—we show you, step-by-step, exactly how to align pieces and parts for speedy and accurate assembly. Note that hardware needed for each step is shown in the upper right corner of the page, each piece being added in a given step is highlighted in gray, and the “assembled view” (what it looks like in the finished center when the step is completed) is included in the lower right corner of every page.
- In the instructions, the name of a part is followed by a letter or number in parenthesis. This letter or number corresponds to the sticker on the part, as well as the picture of the part shown on pages 2-3.
- Helpful hints are highlighted with a large exclamation point.



IMPORTANT: Helpful hints are found here.

- If you have any questions, we're here for you! Give our customer service folks a call at 1-800-284-3948!
-

WARNINGS!

Retain these instructions for future reference.

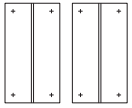
Warning: Prevent Tip Overs!

- Do not allow children to pull, climb, sit, or stand on any part of the activity center.
 - Never place computers, televisions, or other heavy objects on any part of the activity center.
 - The activity center must be placed on a hard, flat, and level surface.
 - For more information on how to prevent furniture tip-overs in your home, visit AnchorIt.gov.
 - The activity center must be assembled as instructed.
-

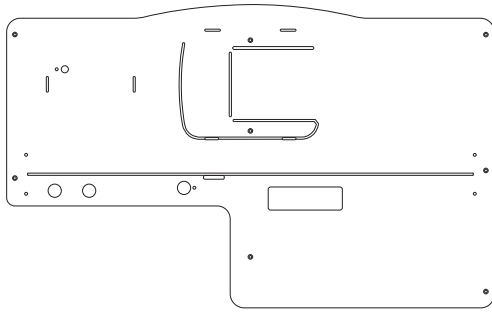
MAINTENANCE:

Ensure the activity center continues to function properly and safely by regularly checking the hardware and tightening when necessary.

WOOD PANELS - Be Smart—Sort Your Parts



A right & left upper sides (2)



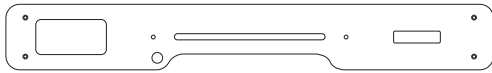
B counter



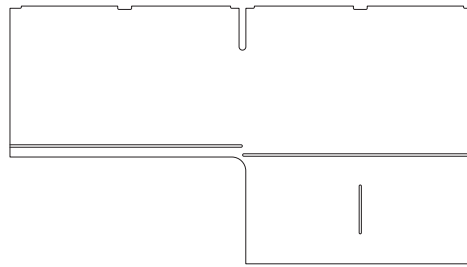
C upper center divider



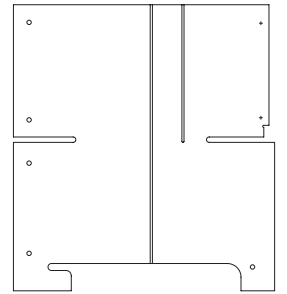
D top sign



E top counter



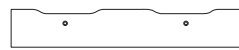
F floor



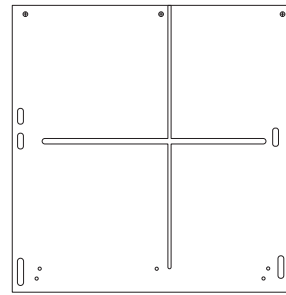
G vertical divider



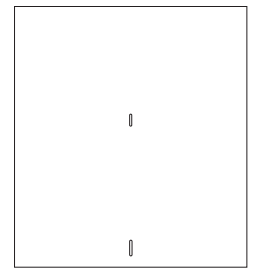
H kennel front bottom



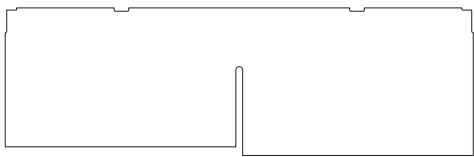
I store front bottom



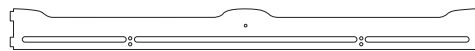
J right side panel



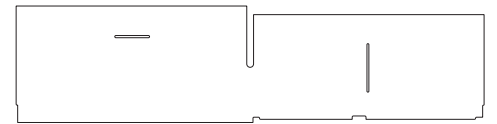
K right center divider



L vet shelf



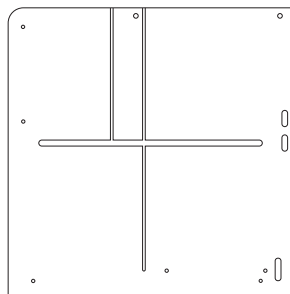
M kennel front top



N grooming shelf



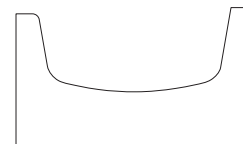
O store front top



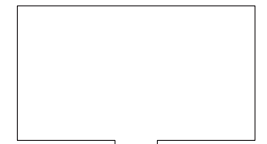
P left side panel



Q left center divider


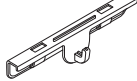
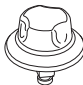


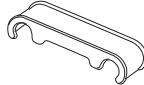

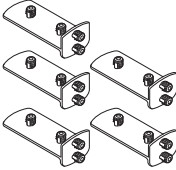
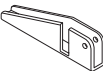
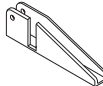
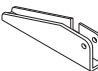
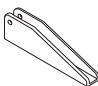

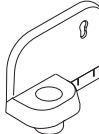


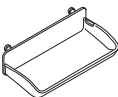



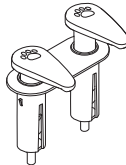
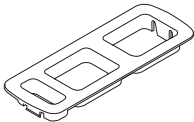


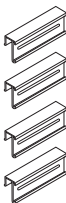
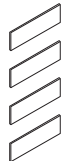

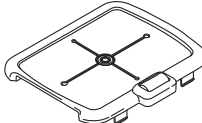
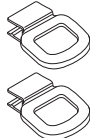
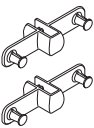
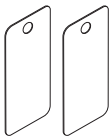




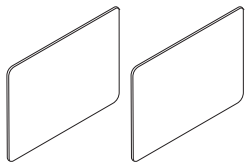


R sink front

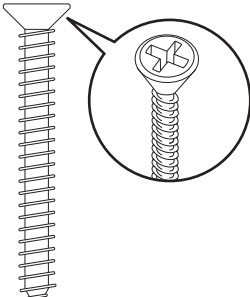



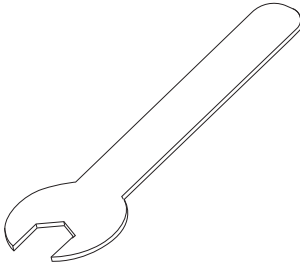
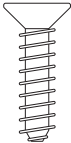


S sink back

OTHER PARTS

-  1 double-sided hook
-  2 x-ray wall clip
-  3 x-ray knob
-  4 x-ray knob base
-  5 x-ray clip
-  6 x-ray arm
-  7 x-ray frame
-  8 shelf retainer (5)
-  9 right rear stabilizer foot
-  10 right front stabilizer foot
-  11 left rear stabilizer foot
-  12 left front stabilizer foot
-  13 bath knob
-  14 nozzle attachment
-  15 nozzle with hose
-  16 hose stopper
-  17 treat tray A
-  18 treat tray B
-  19 top shelf divider (short)
-  20 bottom shelf divider (long)
-  21 pump dispenser
-  22 grooming tool holder
-  23 treat chute
-  24 phone cradle
-  25 shelf clip (4)
-  26 shelf clip label (4)
-  27 phone
-  28 x-ray bed
-  29 tool clip (2)
-  30 kennel hook (2)
-  31 pet ID card (4)
-  32 bpm card
-  33 bpm base
-  34 bpm knob
-  35 bpm knob back
-  36 x-ray card (2)

HARDWARE (shown actual size)

-  37 long screw (32)
-  38 wood dowel (2)
-  39 bolt (4)
-  40 nut (4)
-  41 wrench
-  42 short screw

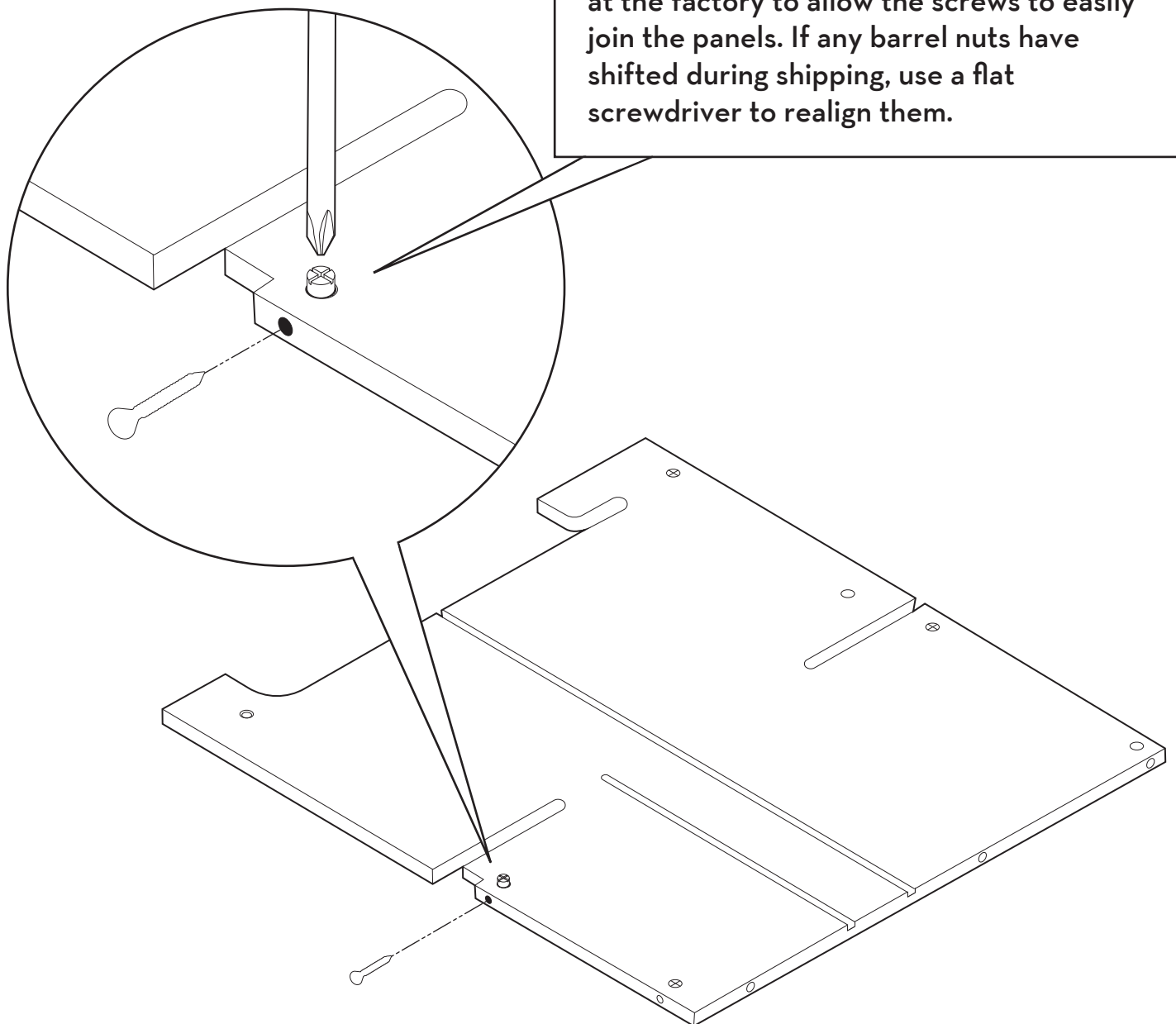
Melissa & Doug Customer Service: 1-800-284-3948

Helpful Hints and Tips

- Note: Some packages of hardware may have extra pieces
- You will need a Phillips head screwdriver and wrench to assemble the activity center.



IMPORTANT: Barrel nuts and screws are used to join the main wood panels together. The barrel nuts have been properly aligned at the factory to allow the screws to easily join the panels. If any barrel nuts have shifted during shipping, use a flat screwdriver to realign them.



IMPORTANT

Be smart—sort your parts!
Be sure you have all required parts **BEFORE** beginning assembly!



DO NOT use power tools to assemble.
Using power tools will cause product to crack!



When assembling,
DO NOT FULLY TIGHTEN SCREWS UNTIL ALL PANELS ARE CONNECTED.

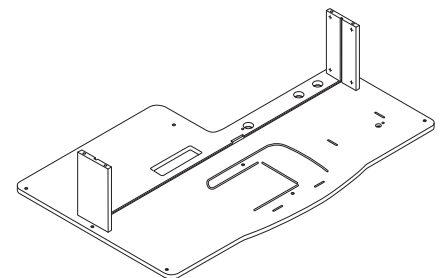
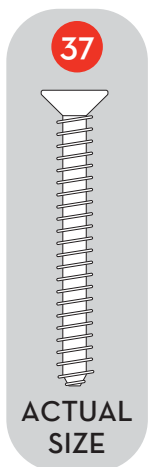
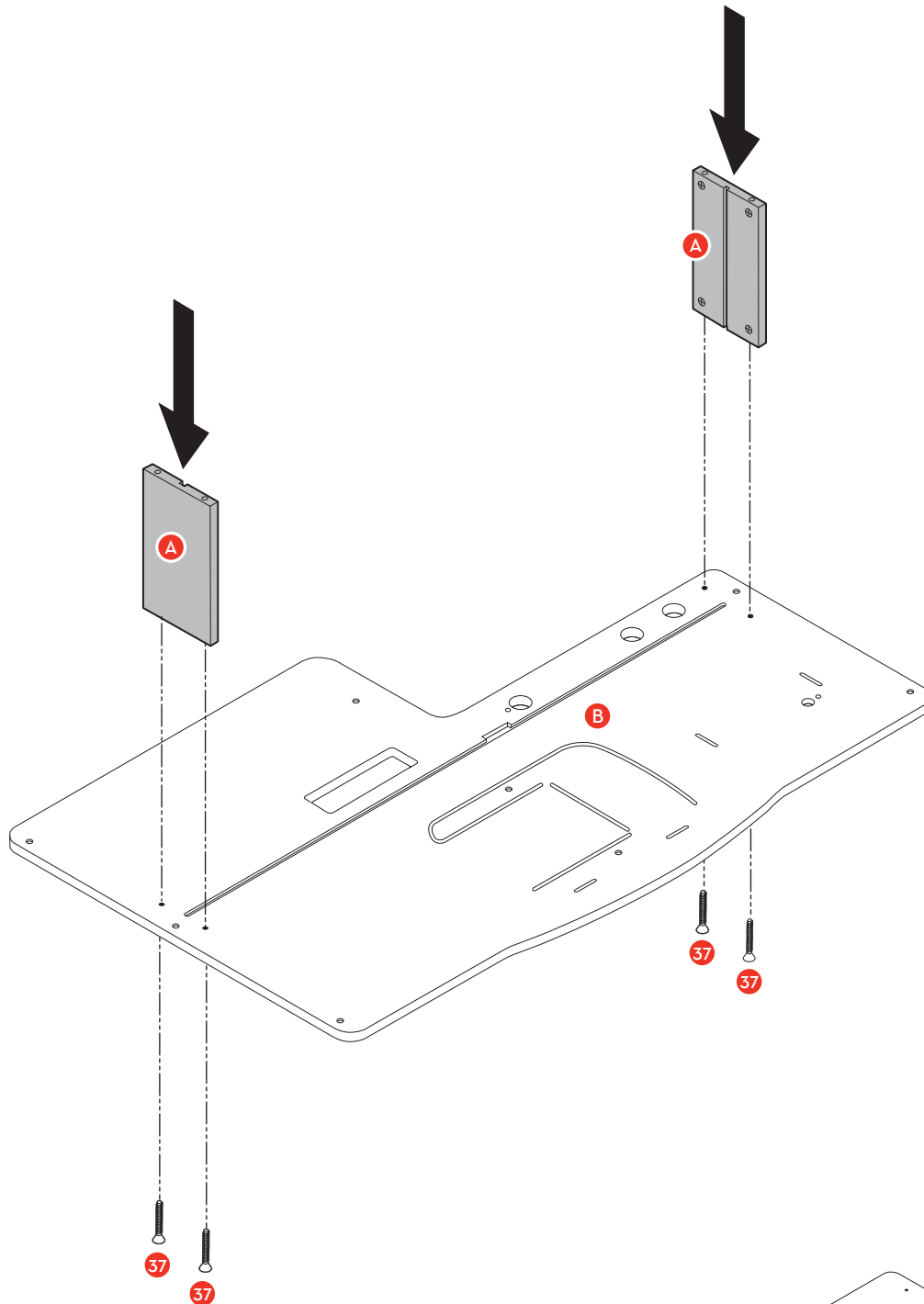
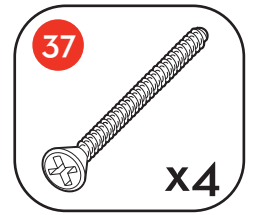


To complete assembly, use hand-held screwdriver to fully tighten all screws until they're snug.

DO NOT OVER-TIGHTEN!
Over-tightening will cause product to crack!

STEP 1 - Every Journey Begins with the First Step

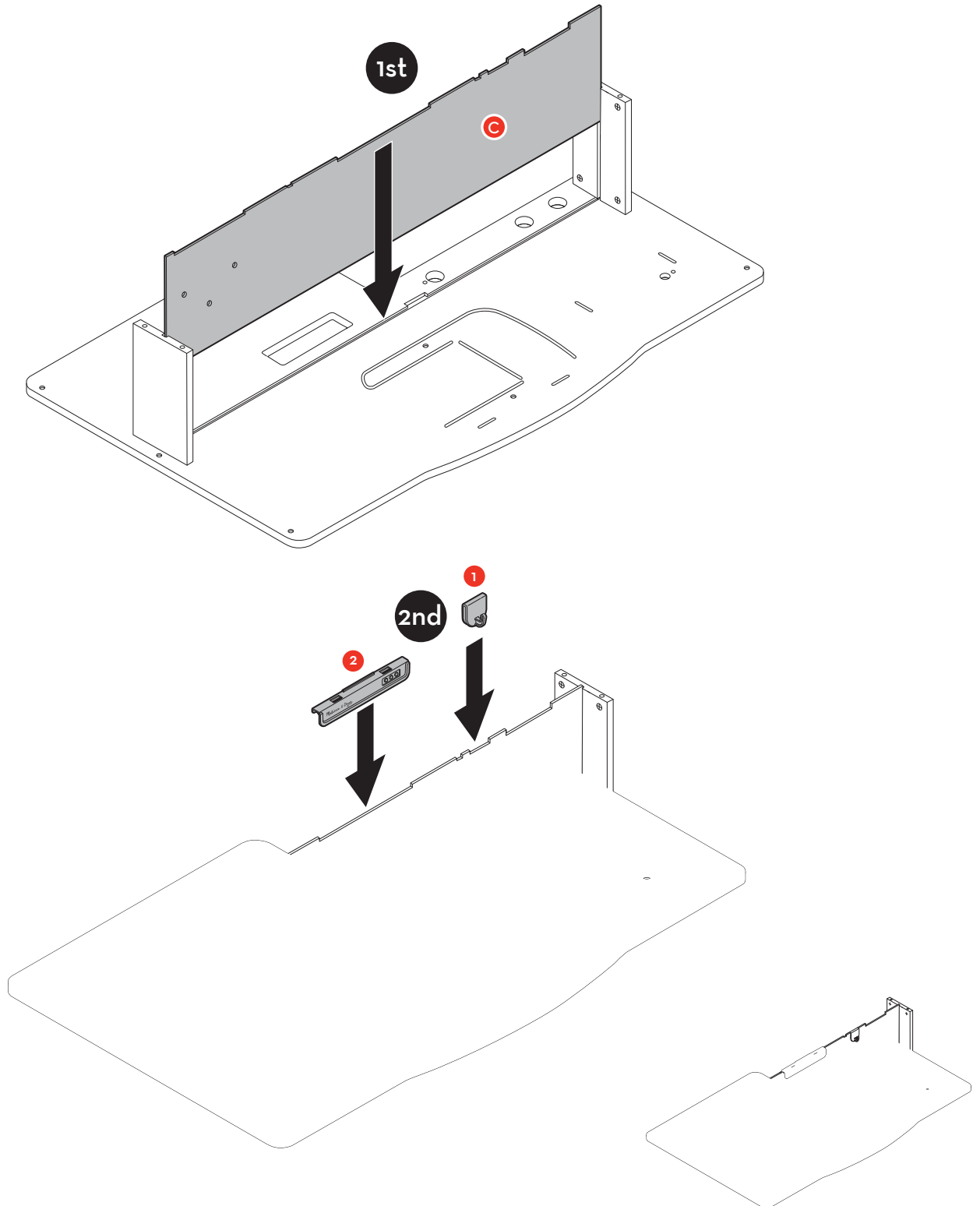
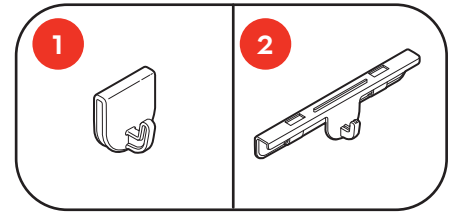
Using 4 long screws (part 37), attach the right and left upper sides (part A) to the counter (part B). Grooves in the upper sides face inward.



Assembled View

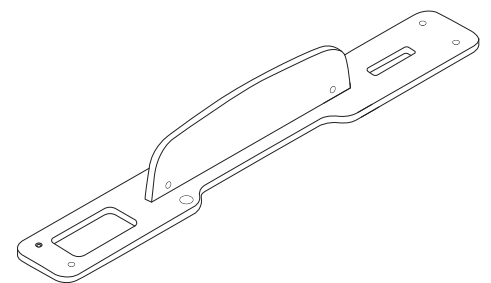
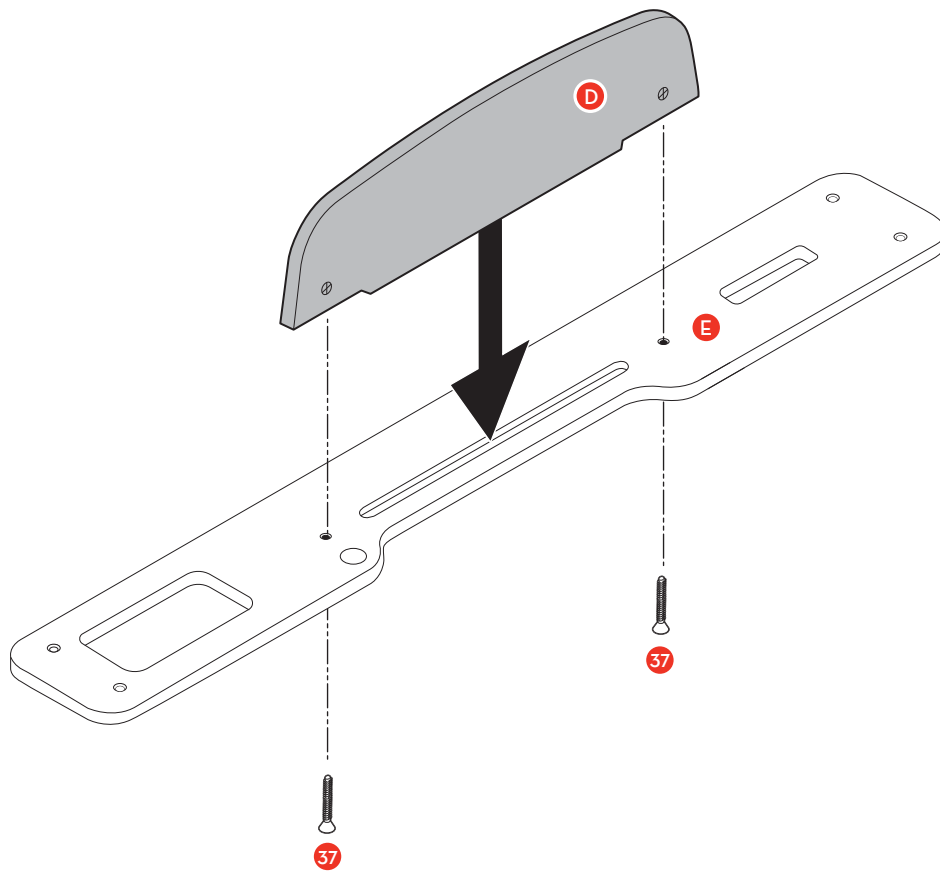
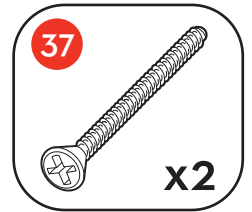
STEP 2 - Center Yourself

- First, slide the upper center divider (part C) into the grooves in the upper sides.
- Second, clip the double-sided hook (part 1) and the x-ray wall clip (part 2) onto the upper center divider (part C).



STEP 3 - Sign Up Now

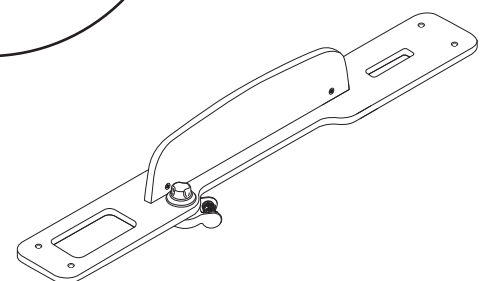
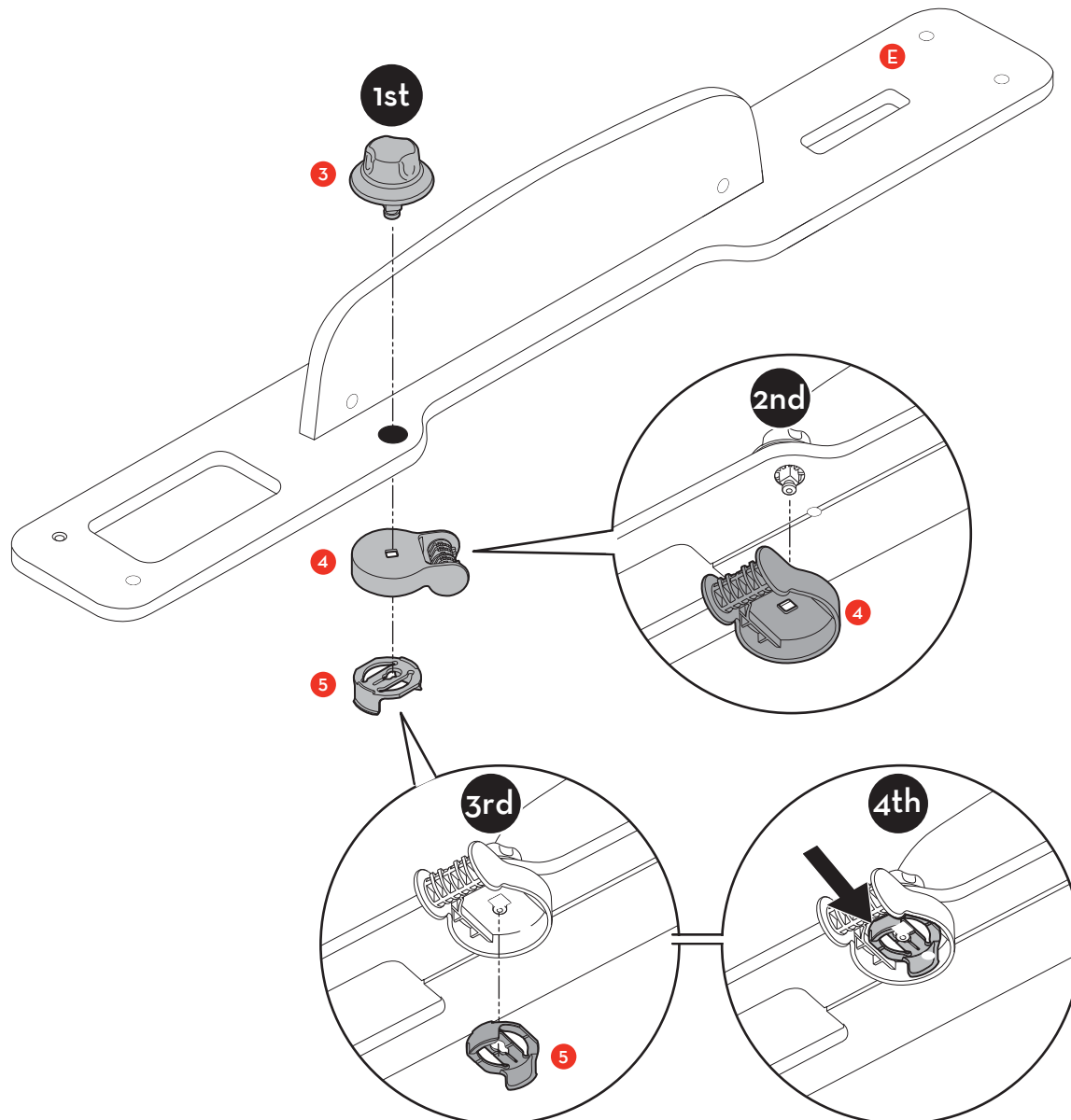
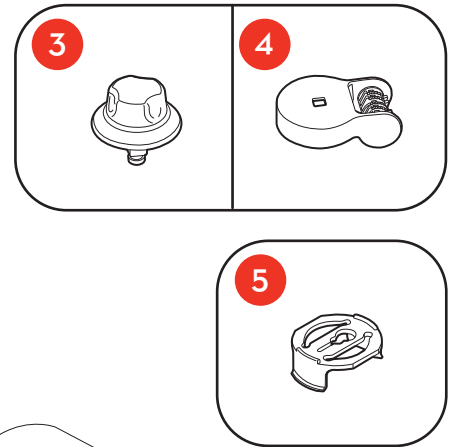
Using 2 long screws (part 37), attach the top sign (part D) to the top counter (part E).



Assembled View

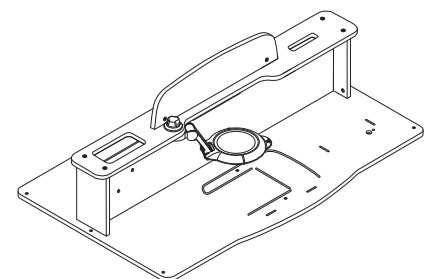
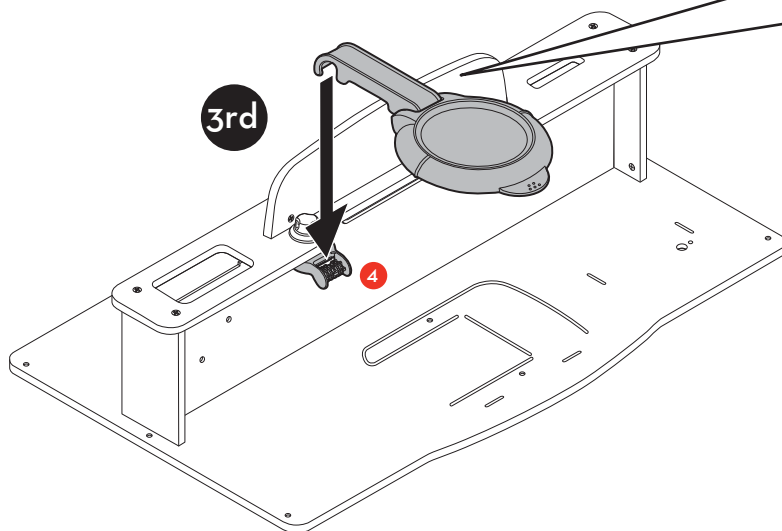
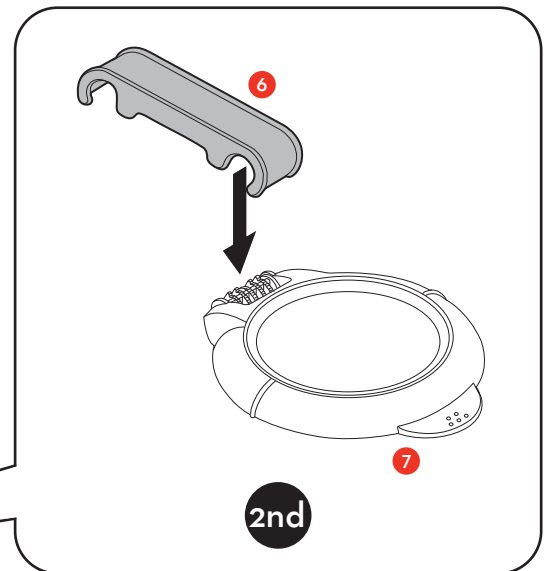
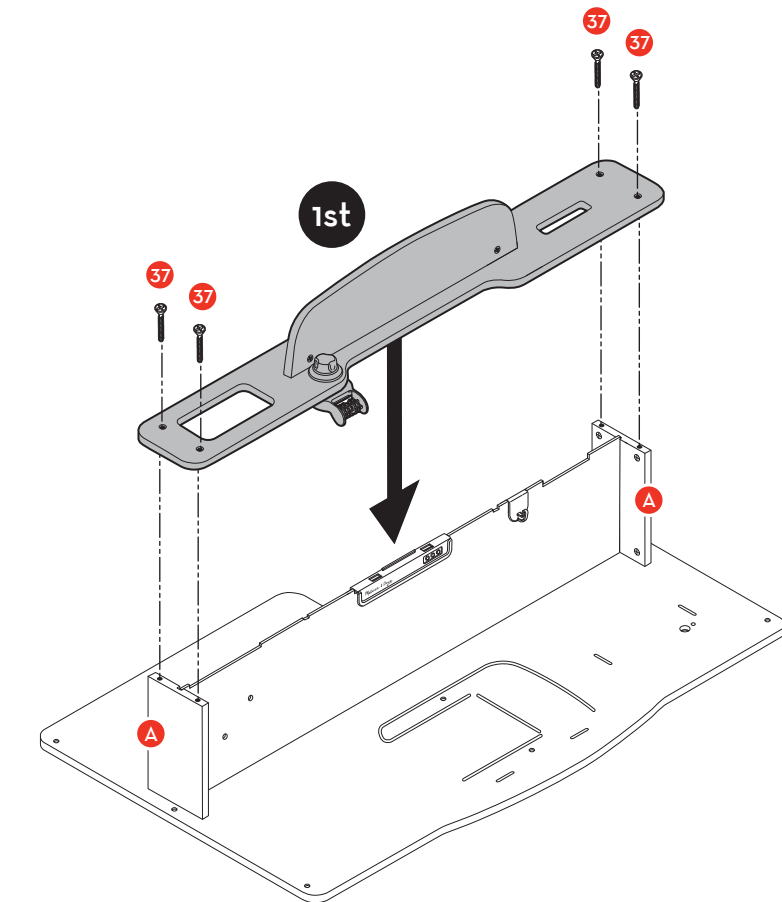
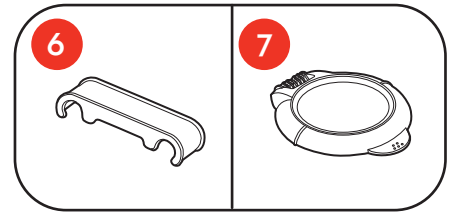
STEP 4 - X Marks the Spot

- First, insert x-ray knob (part 3) into the large hole on the top counter (part E).
- Second, on the underside of the top counter, fit the x-ray knob base (part 4) over the x-ray knob pin until it is flush with the counter.
- Third, attach the x-ray clip (part 5) to the x-ray knob.
- Fourth, slide the x-ray clip to “click lock” it to the counter.



STEP 5 - Top it Off

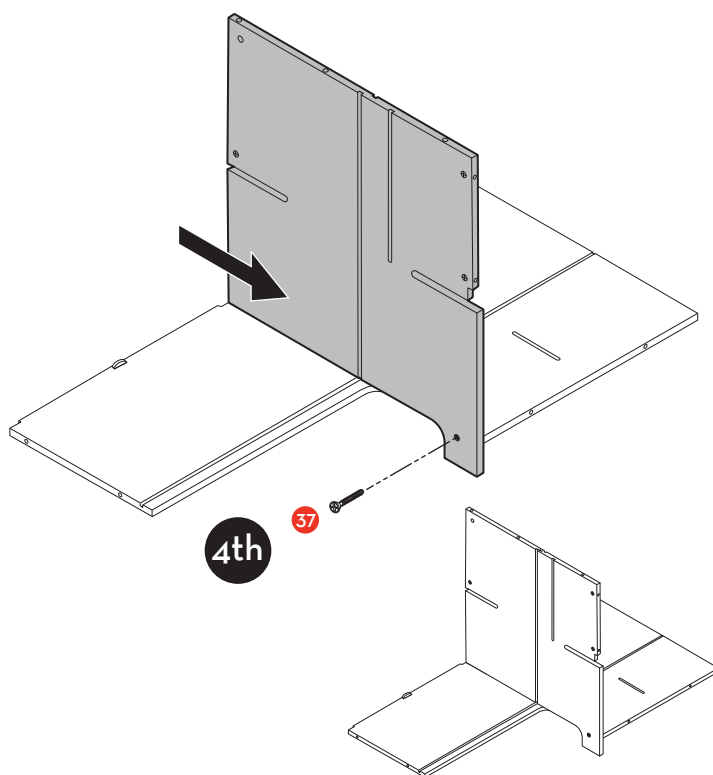
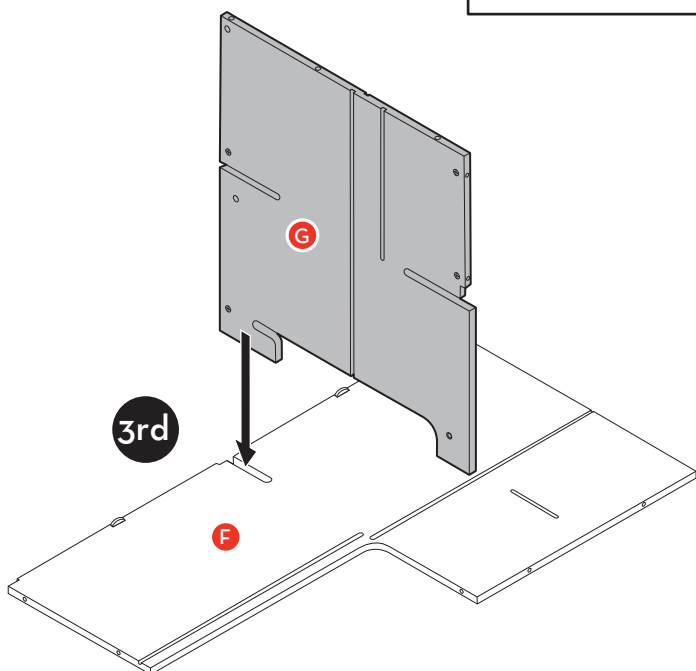
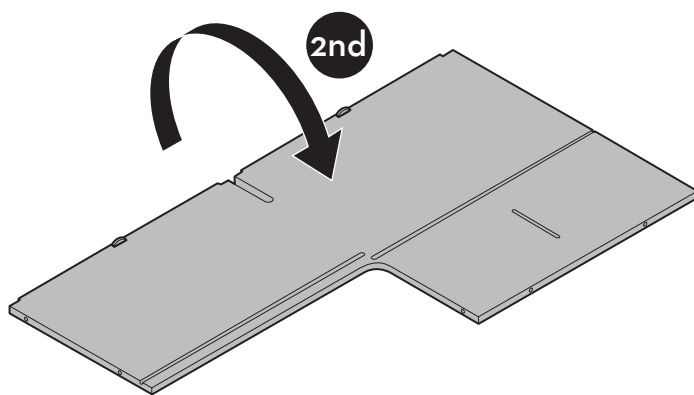
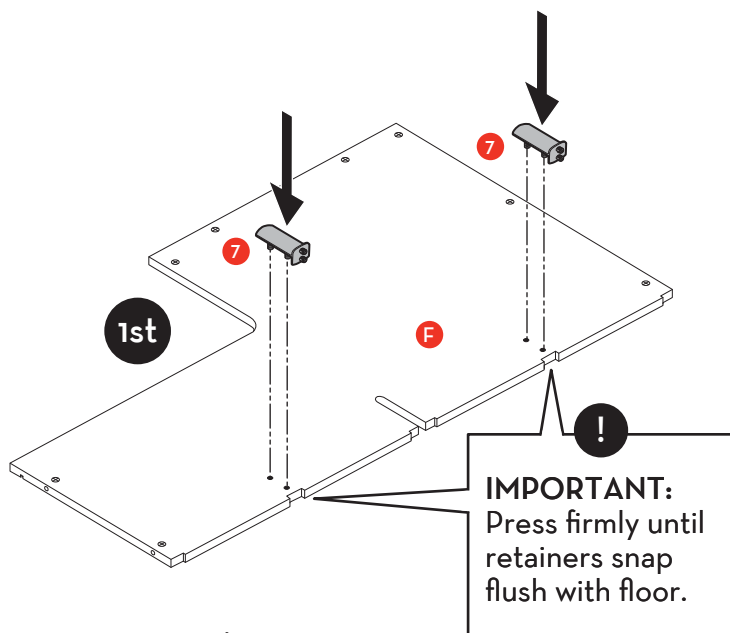
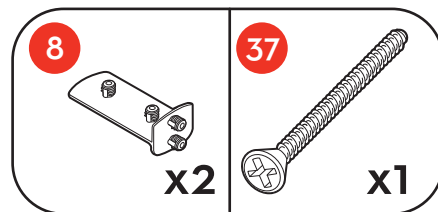
- First, using 4 long screws (part 37), attach the top shelf assembly to the right and left upper sides (parts A).
- Second, connect the x-ray arm (part 6) to the x-ray frame (part 7).
- Third, attach the x-ray arm/frame assembly to the x-ray knob base (part 4).



Assembled View

STEP 6 - The Great Divide

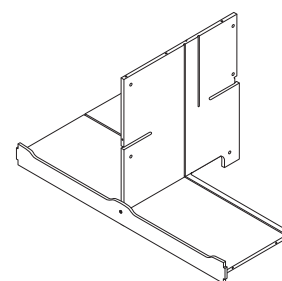
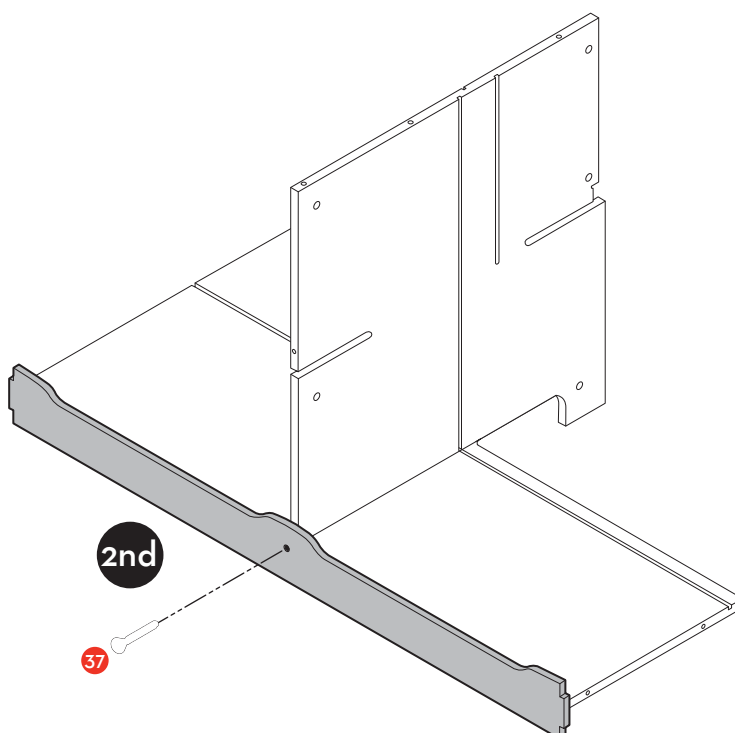
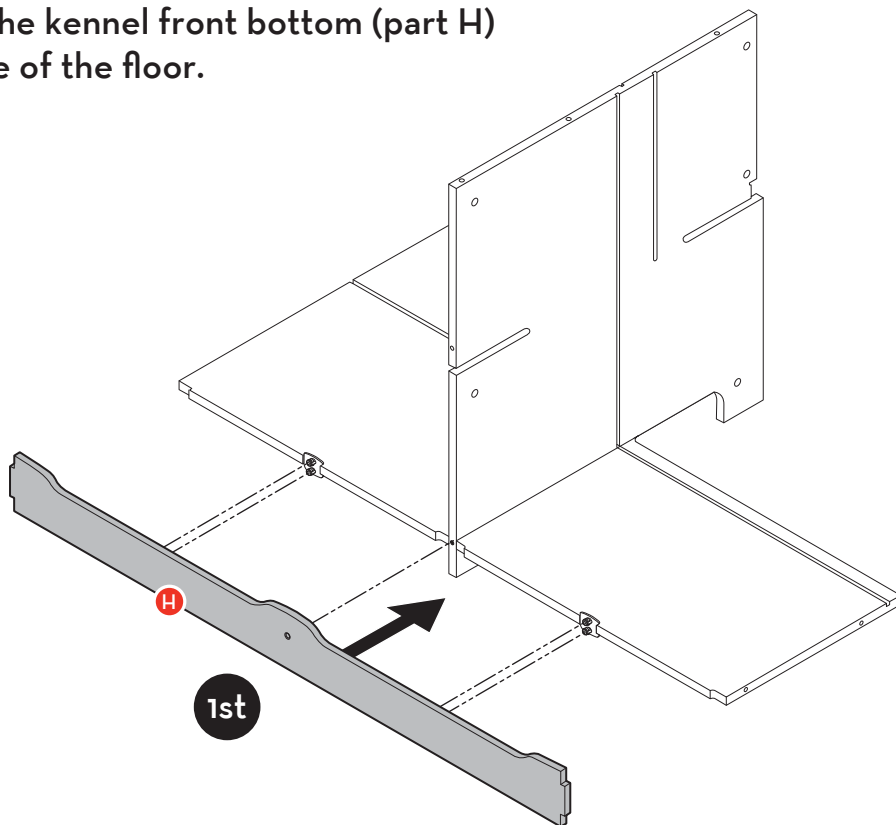
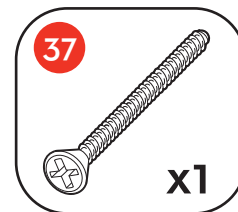
- First, firmly press 2 shelf retainers (part 8) into the holes and notches on the floor (part F). Blue side of floor faces up.
- Second, flip floor over (white side up).
- Third, slide the vertical divider (part G) into the slot in the floor.
- Fourth, using 1 long screw (part 37), attach the vertical divider to the floor.



Assembled View

STEP 7 - Get to the Bottom of It

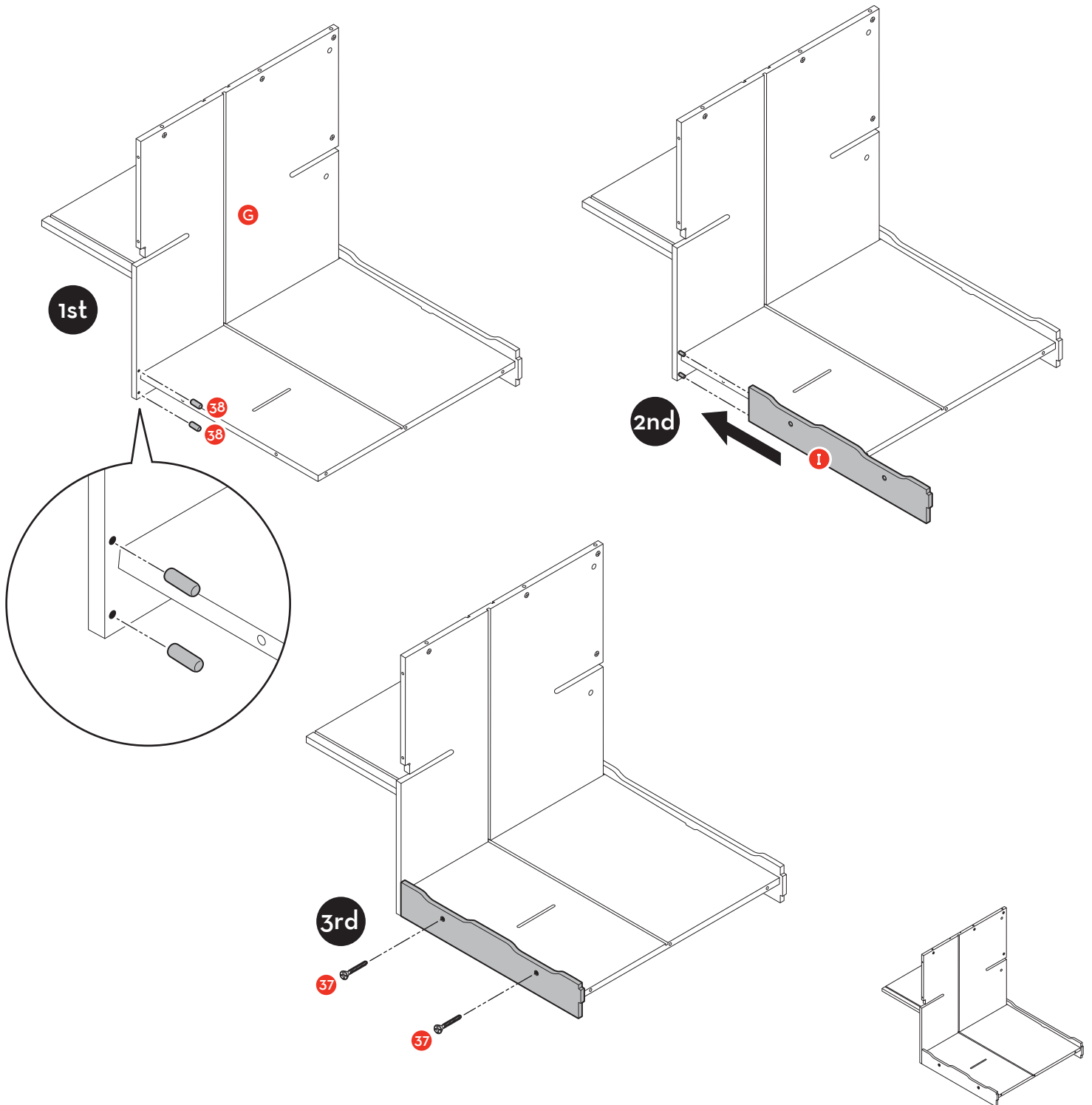
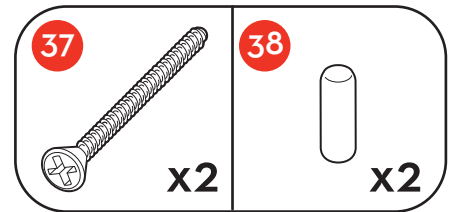
- First, press the kennel front bottom (part H) onto the shelf retainers.
- Second, using 1 long screw (part 37) in the center, attach the kennel front bottom (part H) to the long edge of the floor.



Assembled View

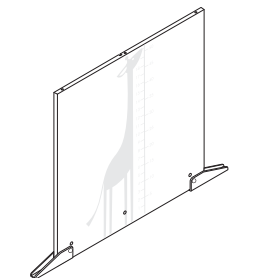
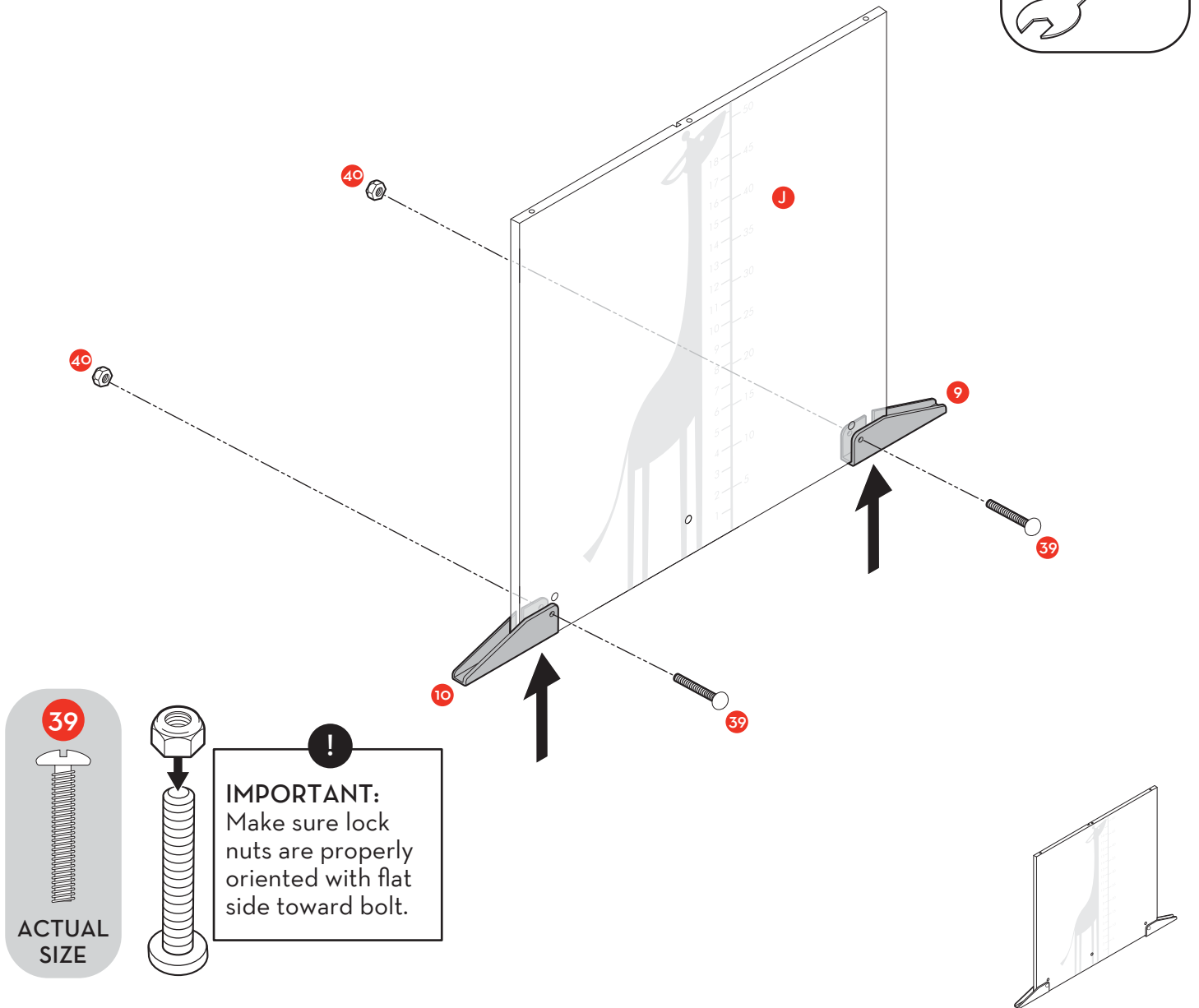
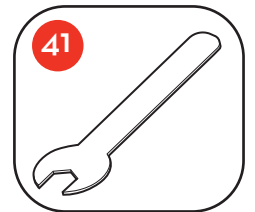
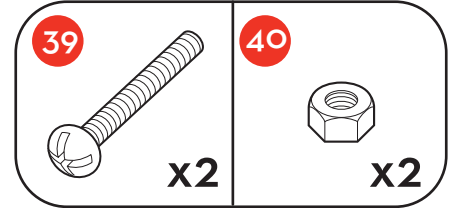
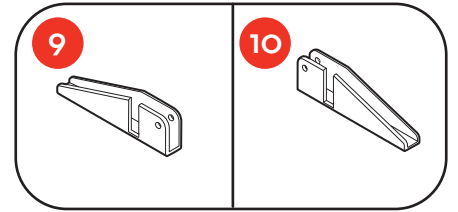
STEP 8 - Don't Forget the Dowels

- First, on the opposite side of the assembly, insert 2 wood dowels (part 38) into the holes at the bottom of the vertical divider (part G).
- Second, slide the store front bottom (part I) onto the dowels.
- Third, using 2 long screws (part 37), attach the front bottom panel to the floor.



STEP 9 - Can't Beat These Feet

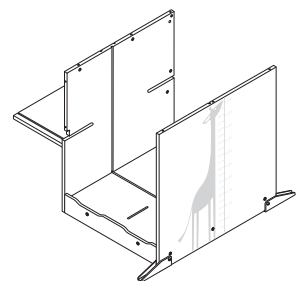
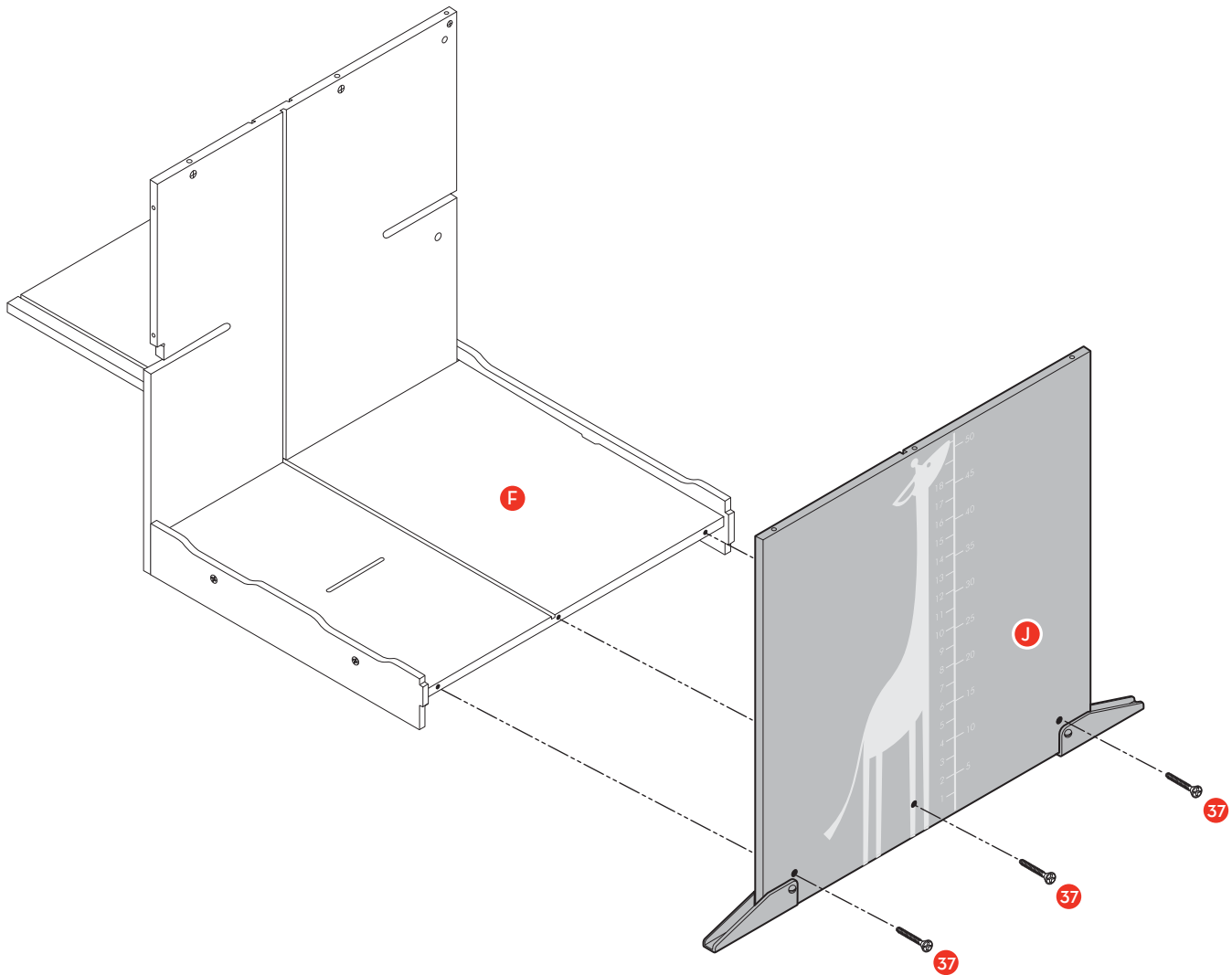
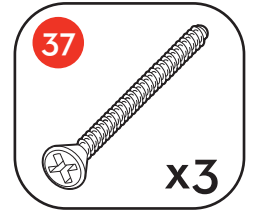
Using 2 bolts (part 39), 2 nuts (part 40), and the wrench (part 41), attach the right rear and right front stabilizer feet (parts 9 & 10) to the right side panel (part J).



Assembled View

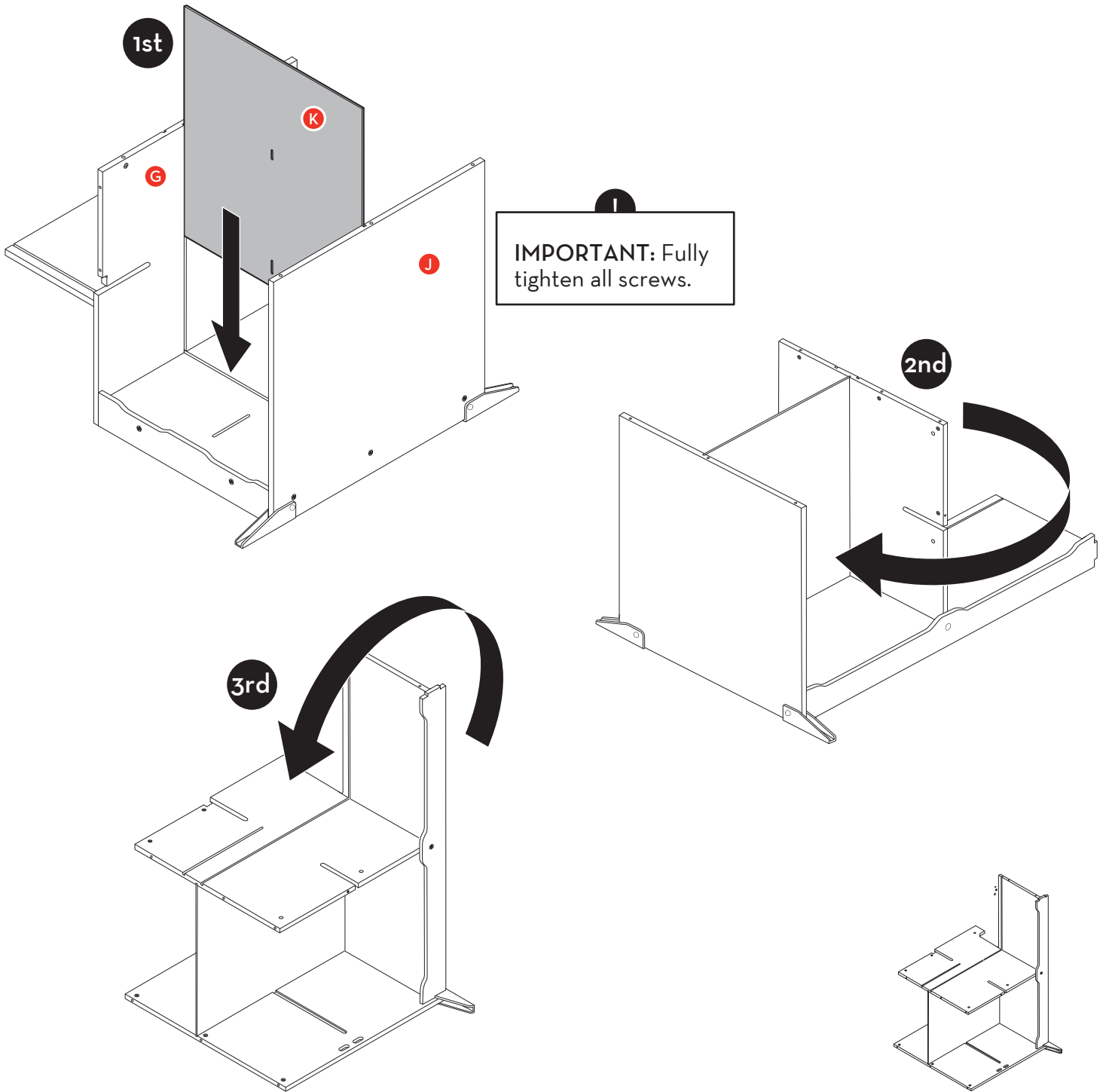
STEP 10 - That's Right

With the height chart facing out, use 3 long screws (part 37) to attach the right side panel (part J) to the floor (part F).



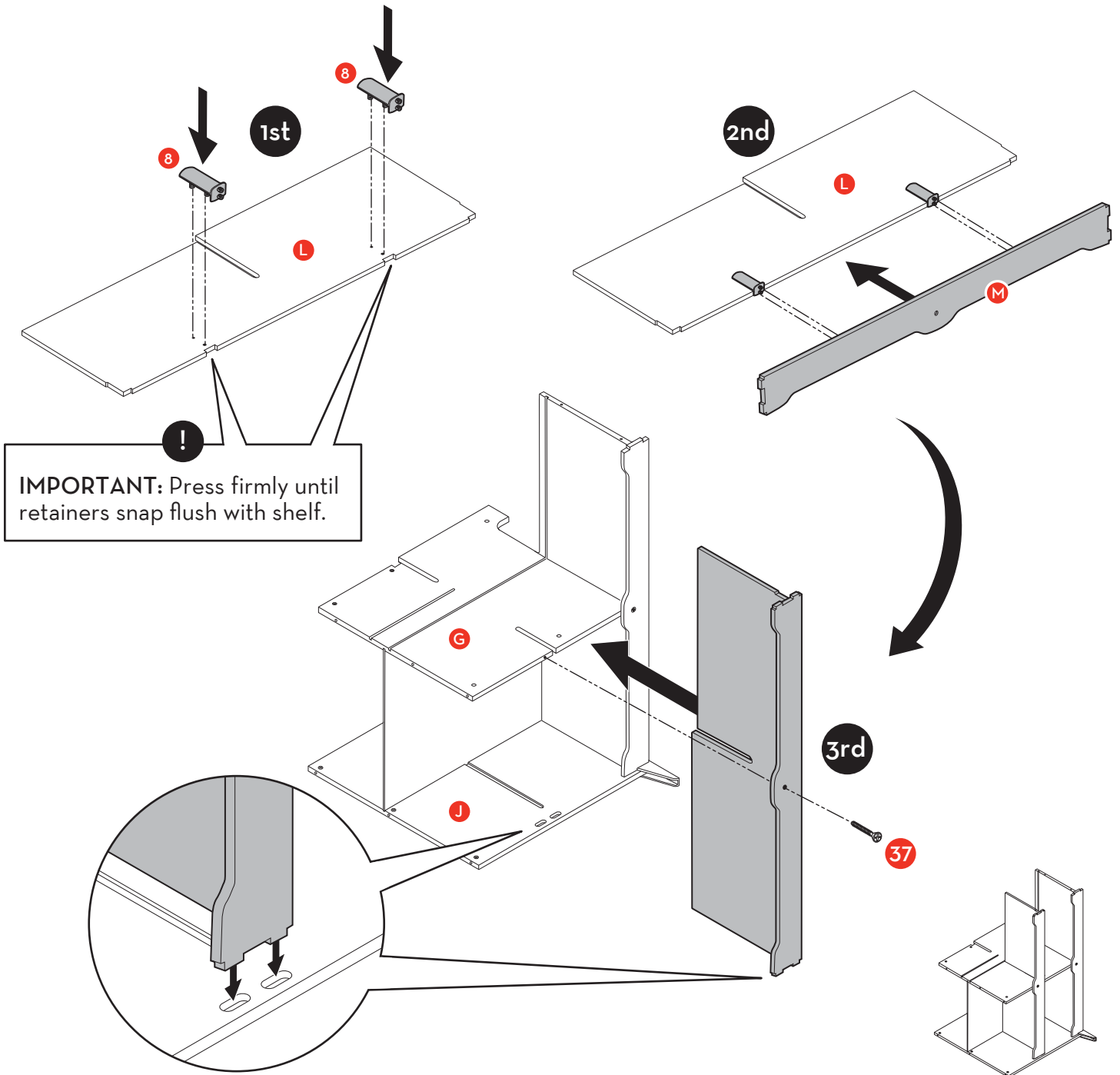
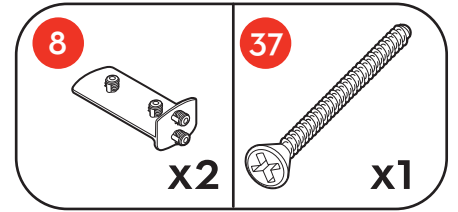
STEP 11 - Feeling Groovy

- First, slide the right center divider (part K) into the grooves in the vertical divider (part G) and the right side panel (part J).
- **IMPORTANT:** Fully tighten all screws until snug now.
- Second, rotate assembly.
- Third, flip up assembly so it rests on the right side panel (part J).



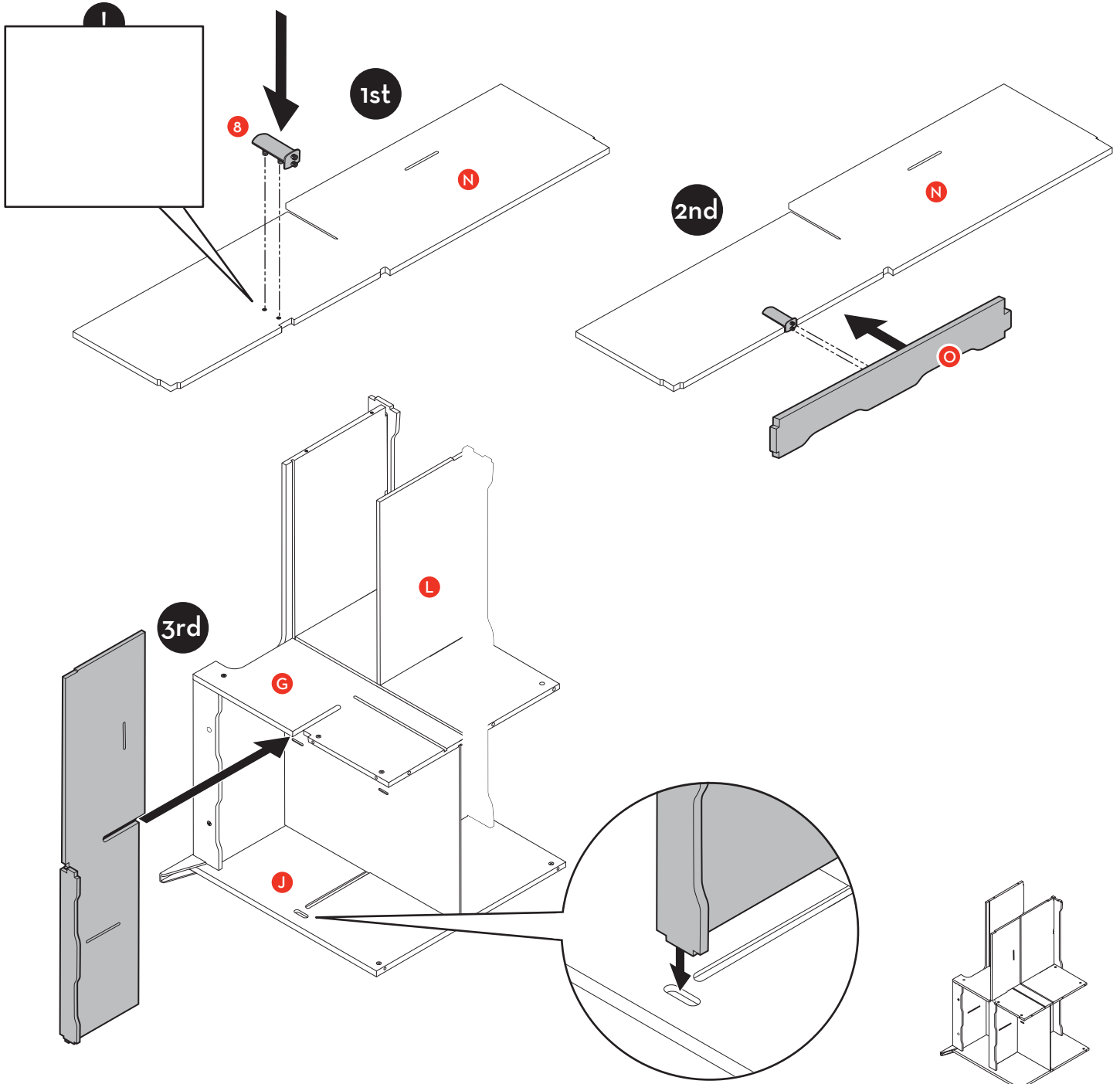
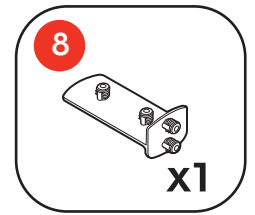
STEP 12 - Topsy-Turvy

- First, firmly press two shelf retainers (part 8) into the holes and notches on the vet shelf (part L).
- Second, press the kennel front top (part M) onto the shelf retainers.
- Third, slide the vet shelf assembly into the slot on the vertical divider (part G). Slightly angle vet shelf assembly so tabs fit into the holes on the right side panel (part J), then lower into groove. Using 1 long screw (part 37), attach the vet shelf assembly to the vertical divider.



STEP 13 - There's Always Room to Groom

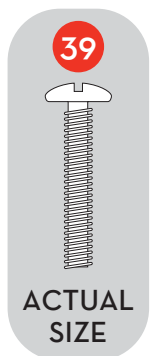
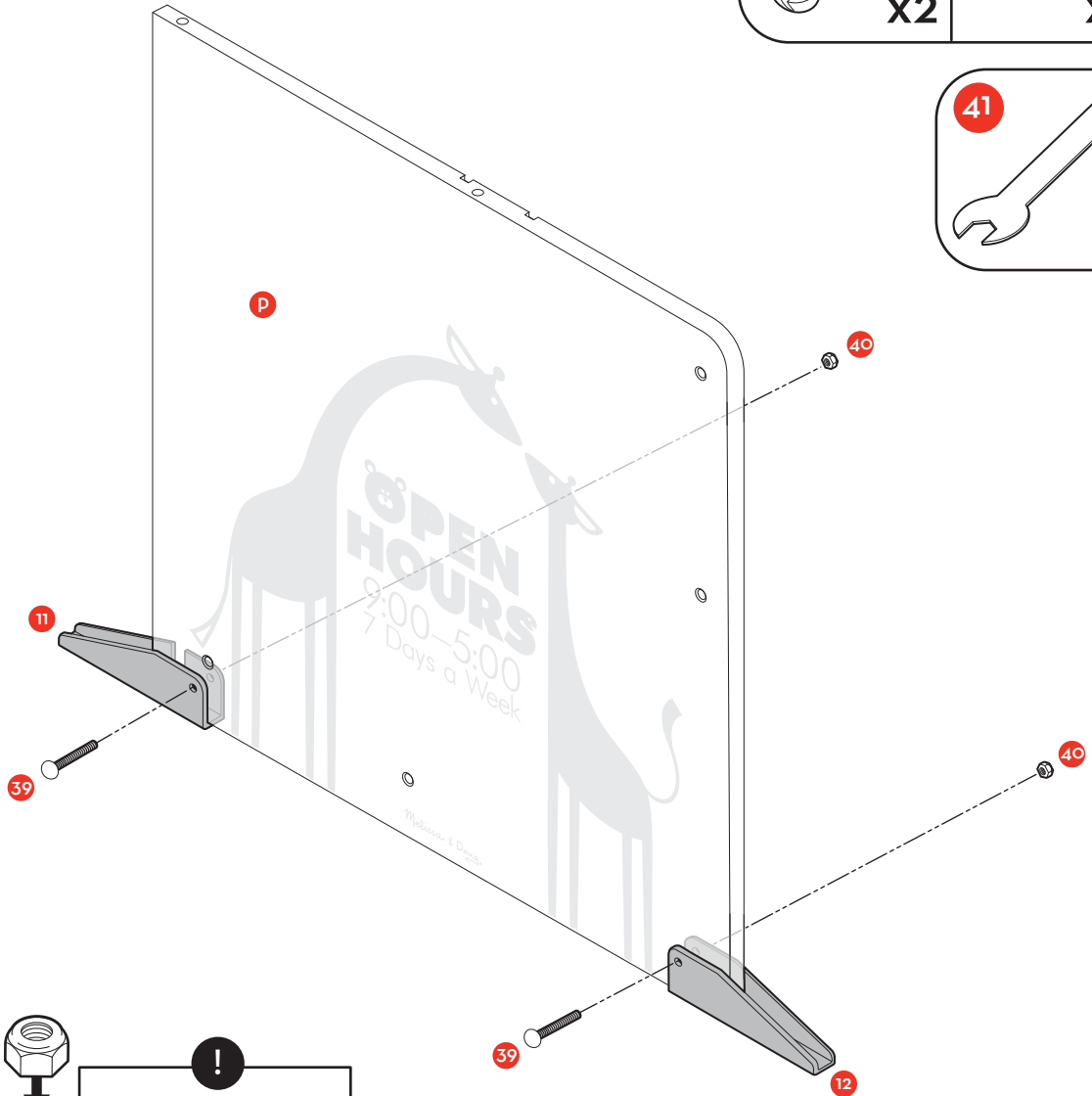
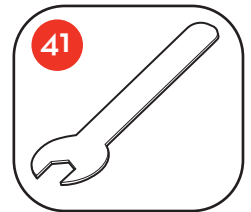
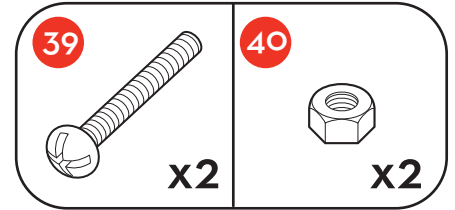
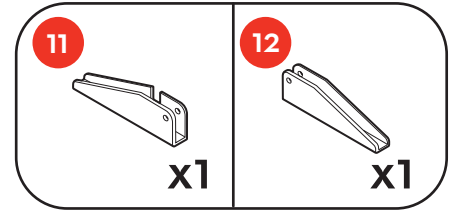
- First, firmly press a shelf retainer (part 8) into the holes and notch on the grooming shelf (part N).
- Second, press the store front top (part O) onto the shelf retainer.
- Third, with the store front top near the floor, slide the grooming shelf assembly into the slot on the vertical divider (part G), opposite the vet shelf (part L). Slightly angle the shelf assembly so tab fits into the holes on the right side panel (part J) then lower into groove.



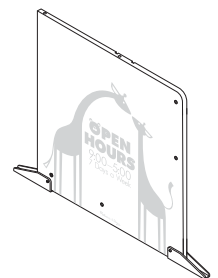
Assembled View

STEP 14 - Two Left Feet

Using 2 bolts (part 39), 2 nuts (part 40), and the wrench (part 41), attach the left rear and left front stabilizer feet (parts 11 & 12) to the left side panel (part P).

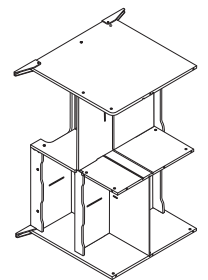
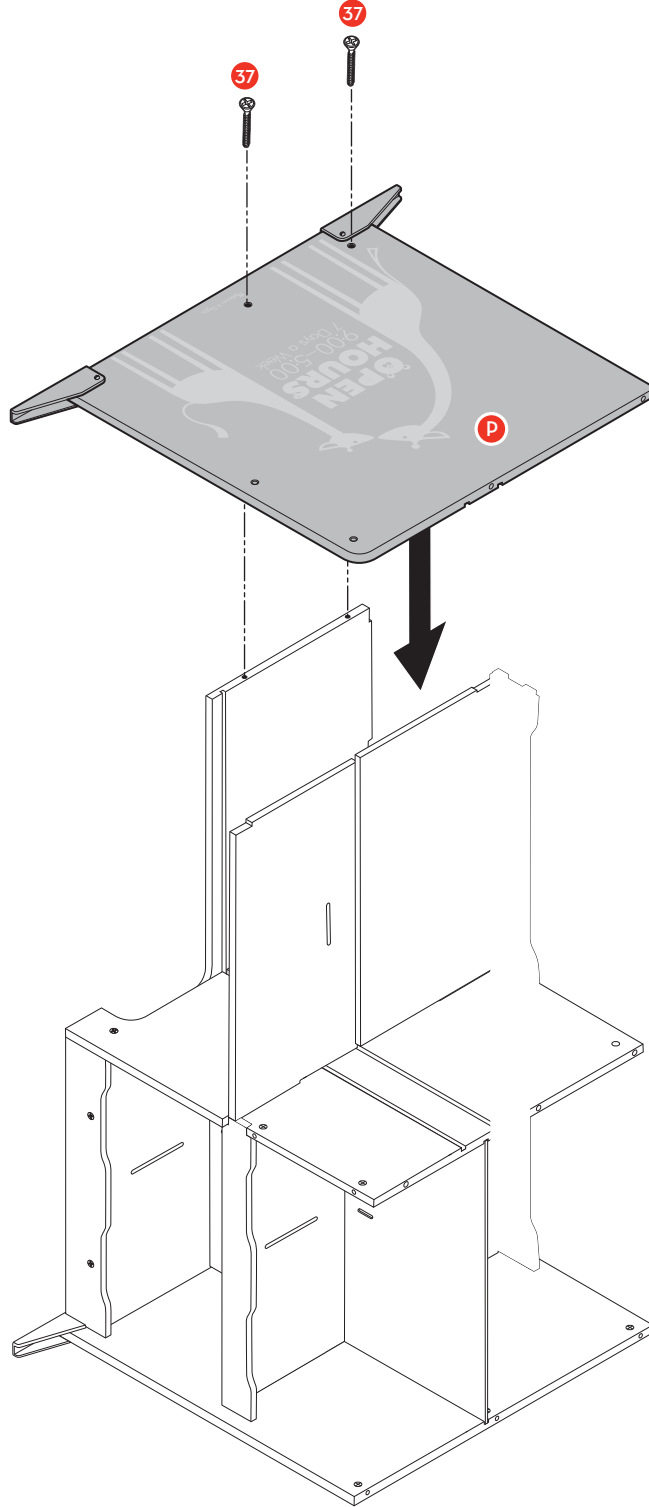


!
IMPORTANT:
Make sure lock nuts are properly oriented with flat side toward bolt.



STEP 15 - What's Left

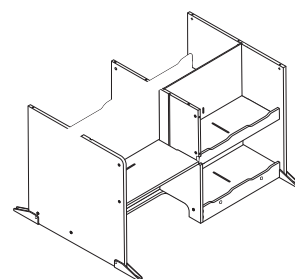
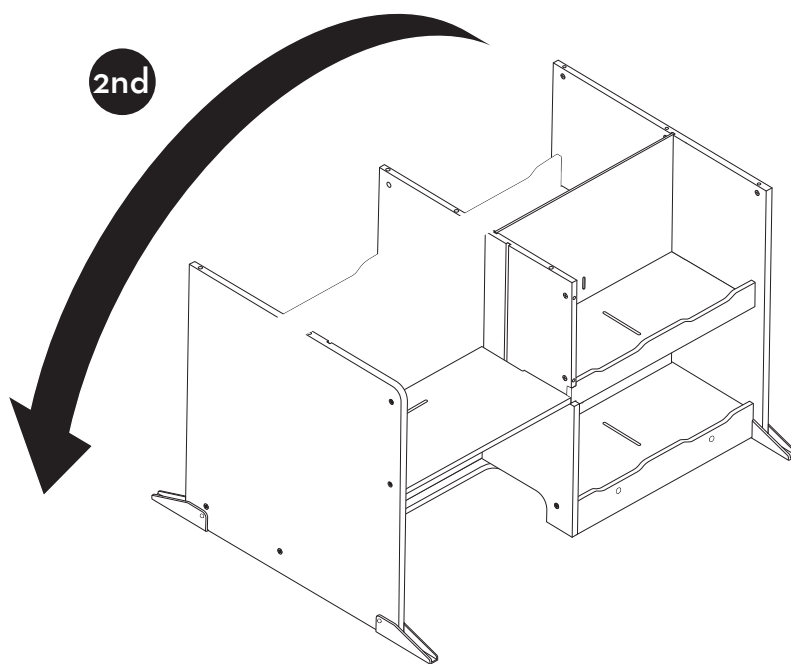
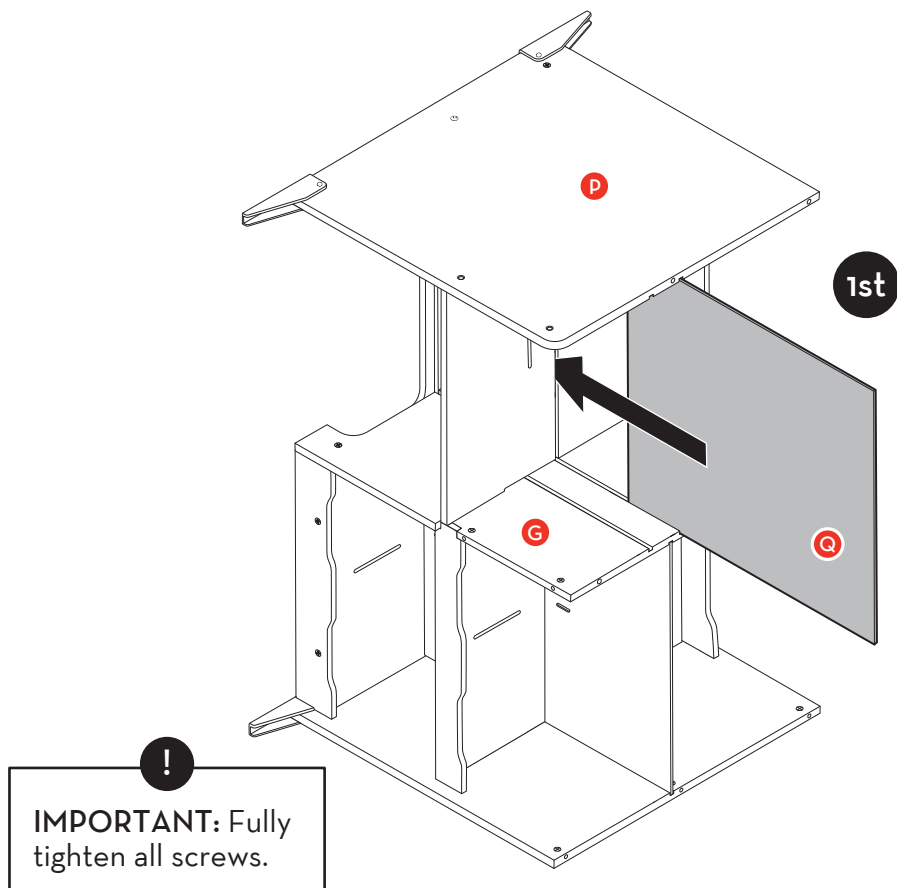
With the hours of operation facing up, use 2 long screws (part 37) to attach the left side panel (part P) to the top of the pet center assembly.



Assembled View

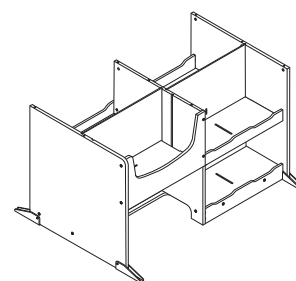
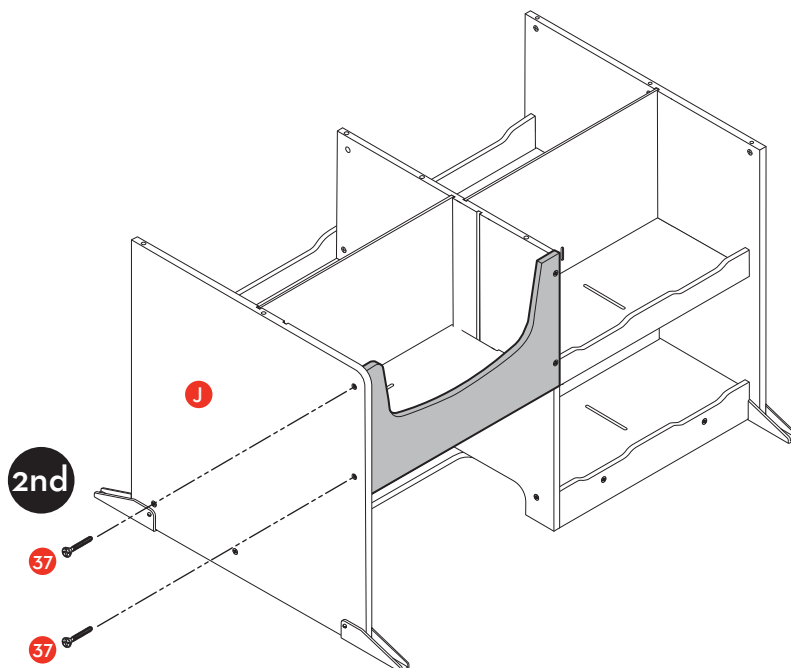
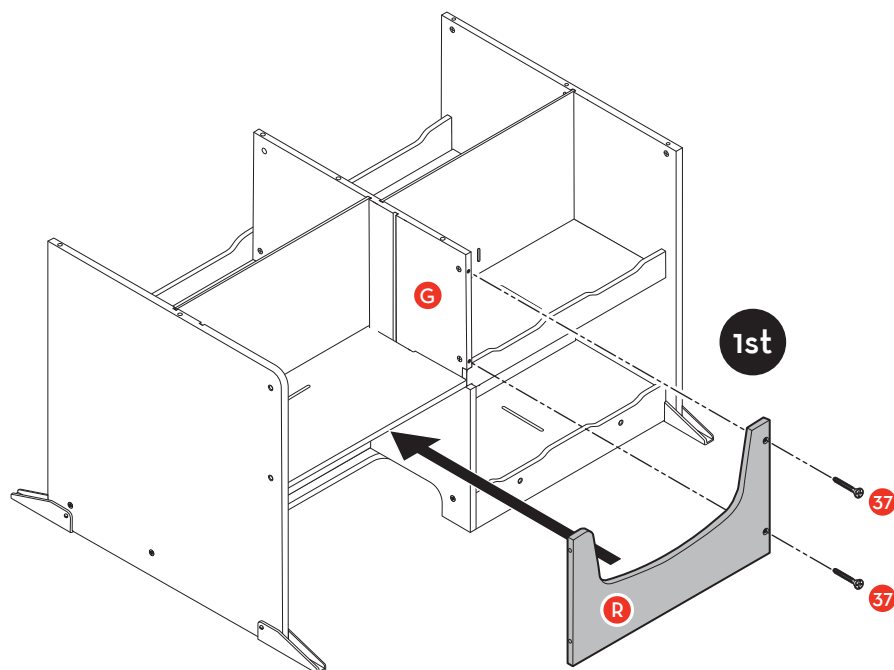
STEP 16 - Get Into the Groove

- First, slide the left center divider (part Q) into the grooves in the left side panel (part P) and the vertical divider (part G).
- Second, tighten all screws, then tip so the center rests on the stabilizer feet.



STEP 17 - Everything and the Kitchen Sink

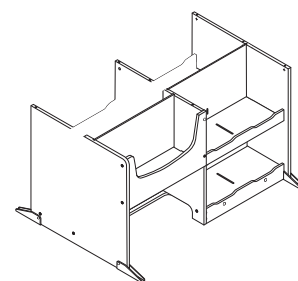
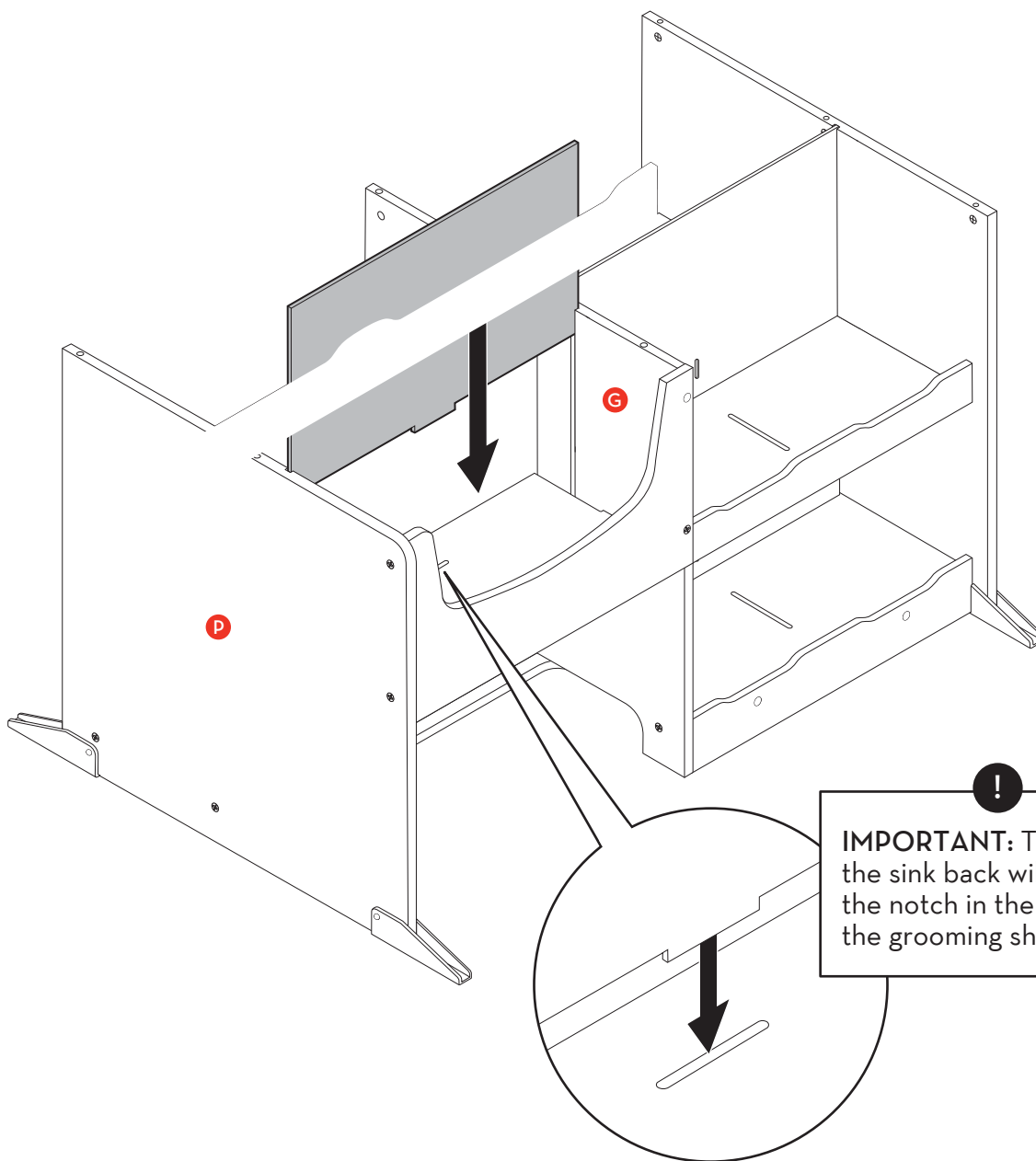
- First, on the grooming side, using 2 long screws (part 37), attach the sink front (part R) to the front of the vertical divider.
(White side of sink faces out.)
- Second, using 2 long screws (part 37), attach the sink front to the right side panel (part J).



Assembled View

STEP 18 - Get Back

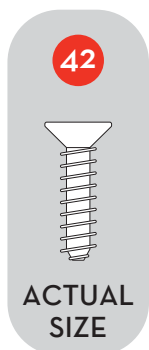
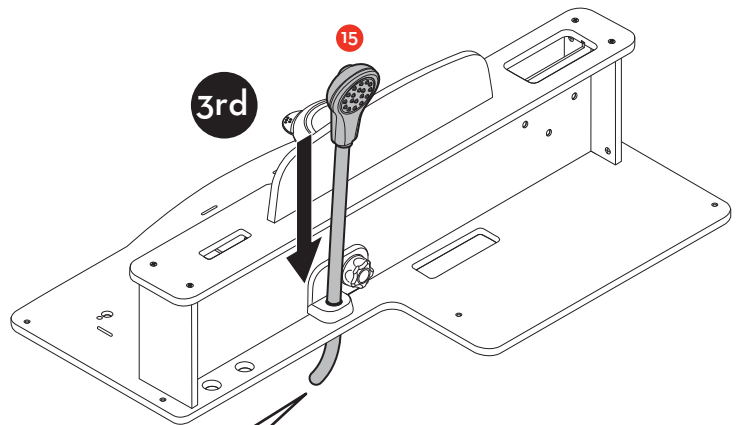
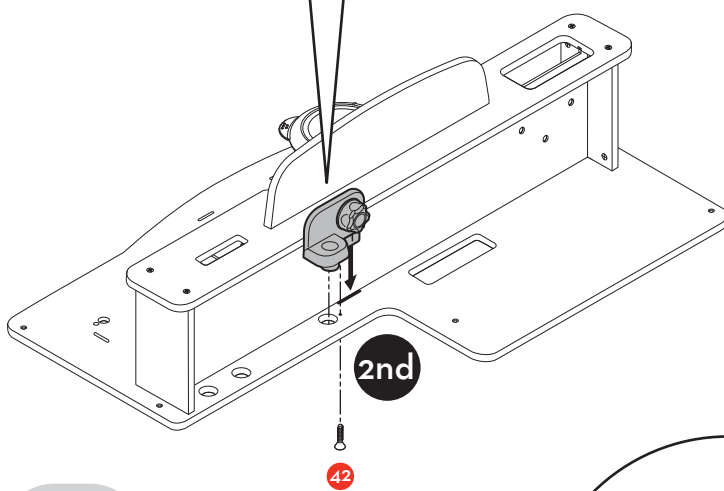
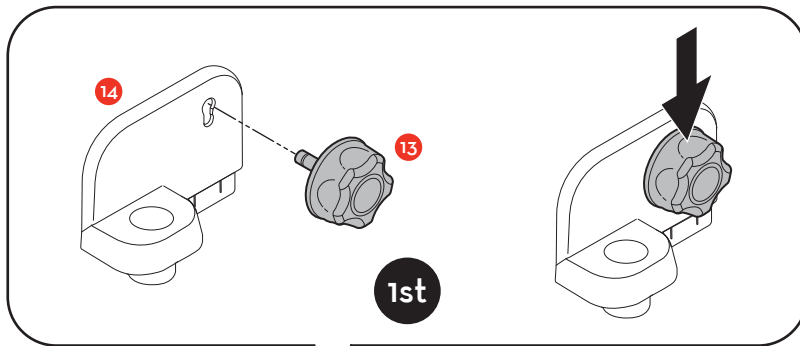
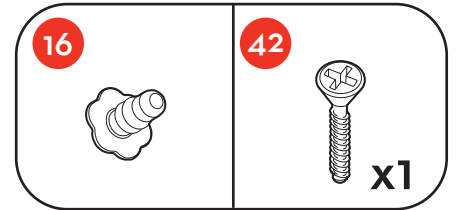
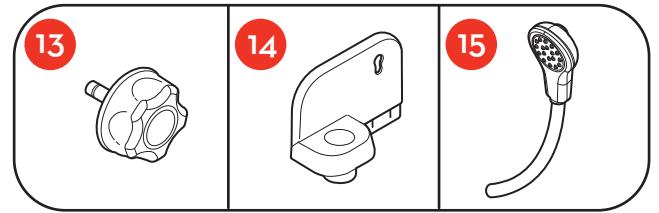
With the tab facing down, slide sink back (part S) into the grooves in the left side panel (part P) and the vertical divider (part G).



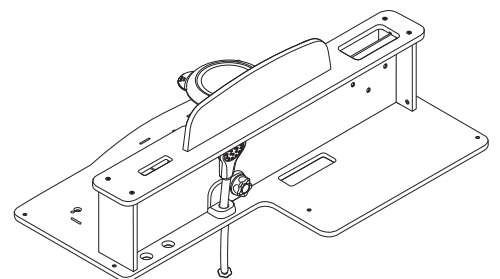
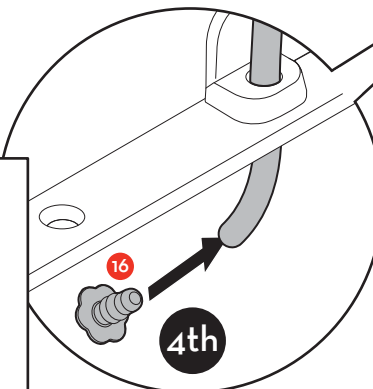
Assembled View

STEP 19 - This is Where the Hose Goes

- First, insert the bath knob (part 13) into the hole in the nozzle attachment (part 14) and press down until it “clicks” into place.
- Second, insert the bath nozzle attachment into the hole and slot in the counter assembly. Using 1 short screw (part 42), attach nozzle attachment from under the counter.
- Third, insert the nozzle with hose (part 15) down through the hole in the bath nozzle attachment.
- Fourth, insert the hose stopper (part 16) into the hose end underneath the counter.



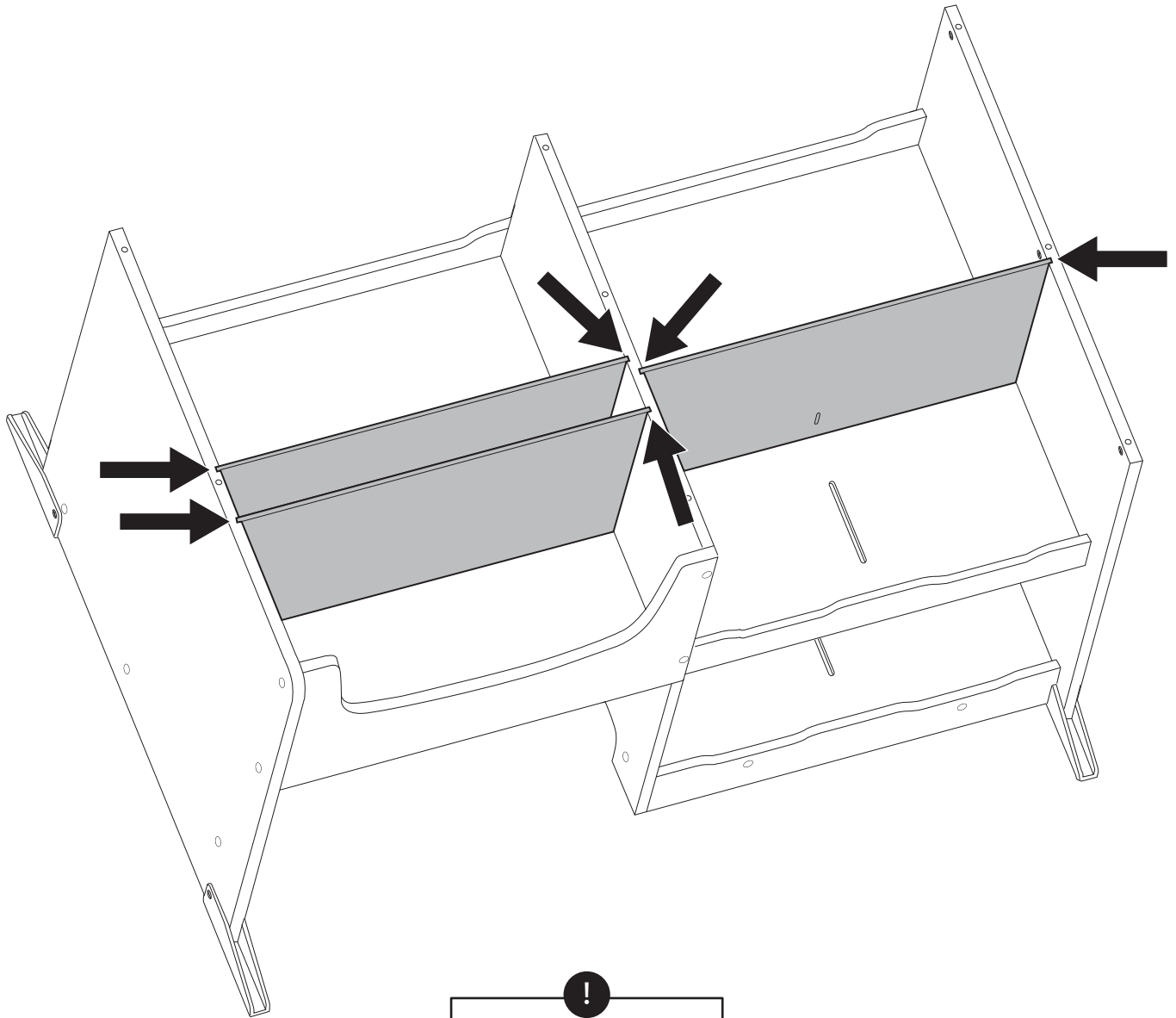
!
HELPFUL HINT: The hose stopper fits very tightly in hose. Apply a small amount of soap to help it slide into hose more easily.



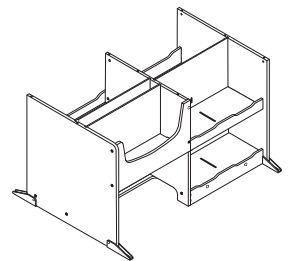
Assembled View

STEP 20 - Tighten Up

Be sure all panels and dividers are properly slotted in the grooves. Tighten all screws.

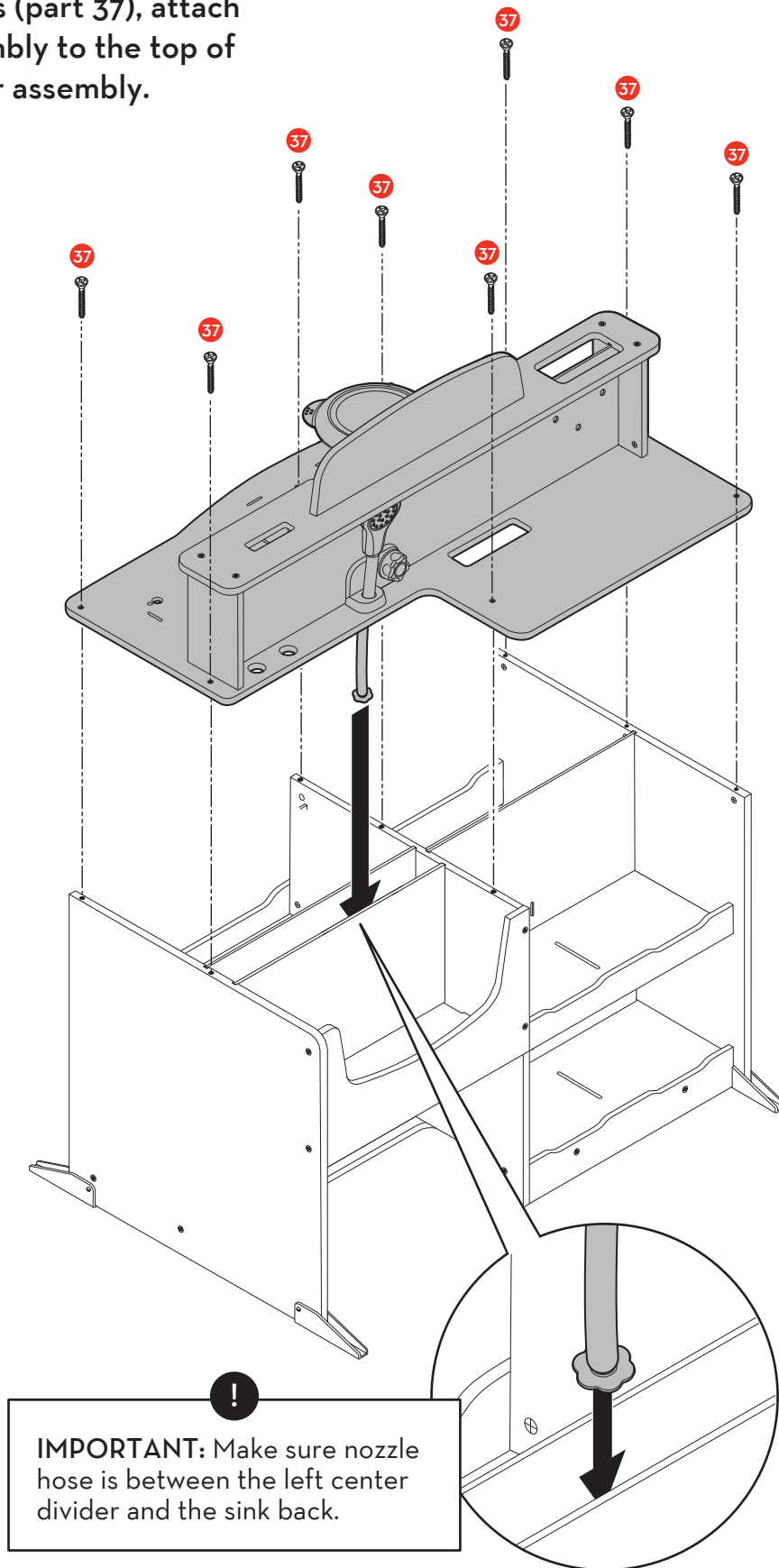
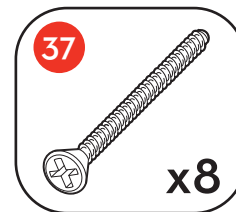


!
IMPORTANT: Fully tighten all screws.

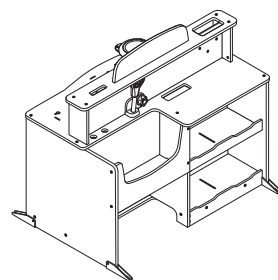


STEP 21 - Counter Attack

Using 8 long crews (part 37), attach the counter assembly to the top of the activity center assembly.



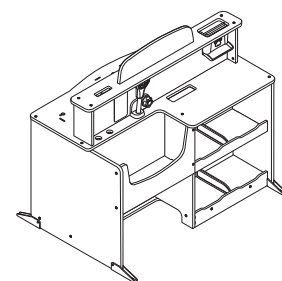
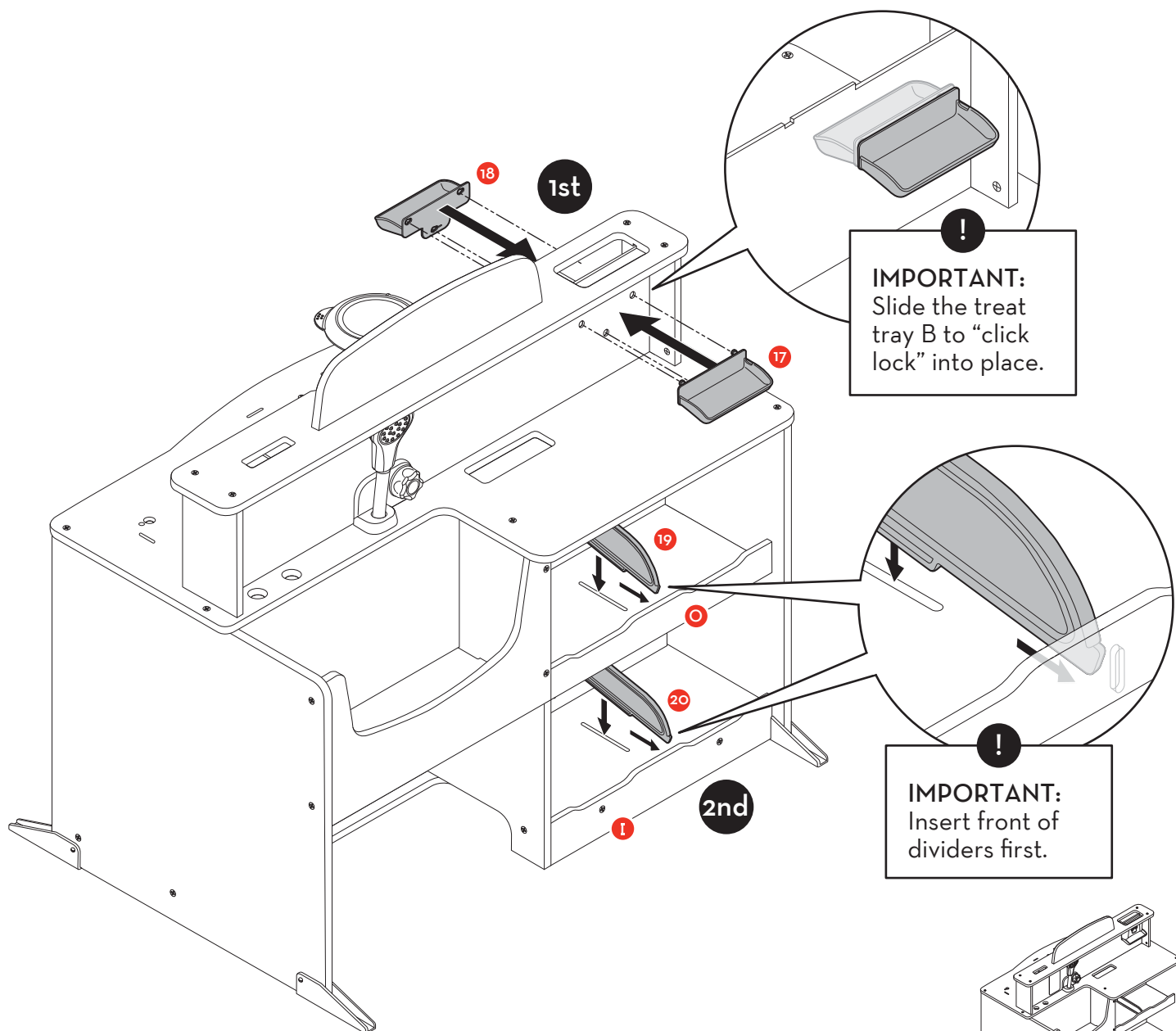
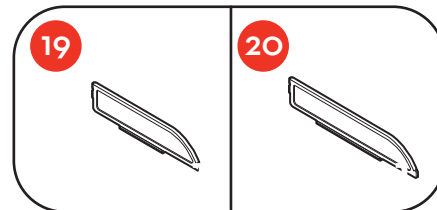
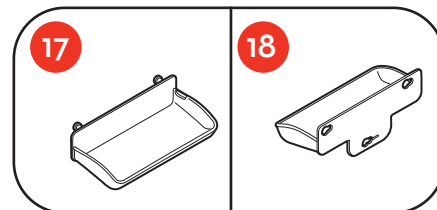
!
IMPORTANT: Make sure nozzle hose is between the left center divider and the sink back.



Assembled View

STEP 22 - What a Treat

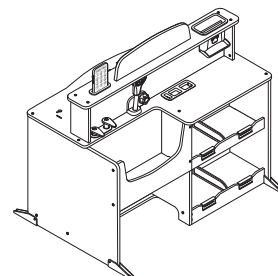
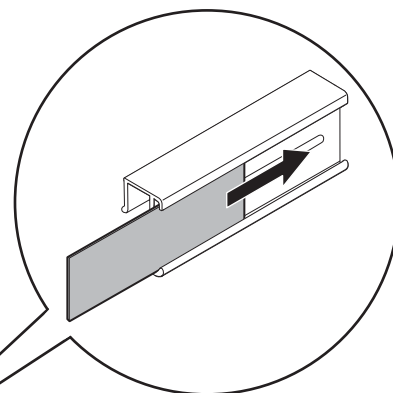
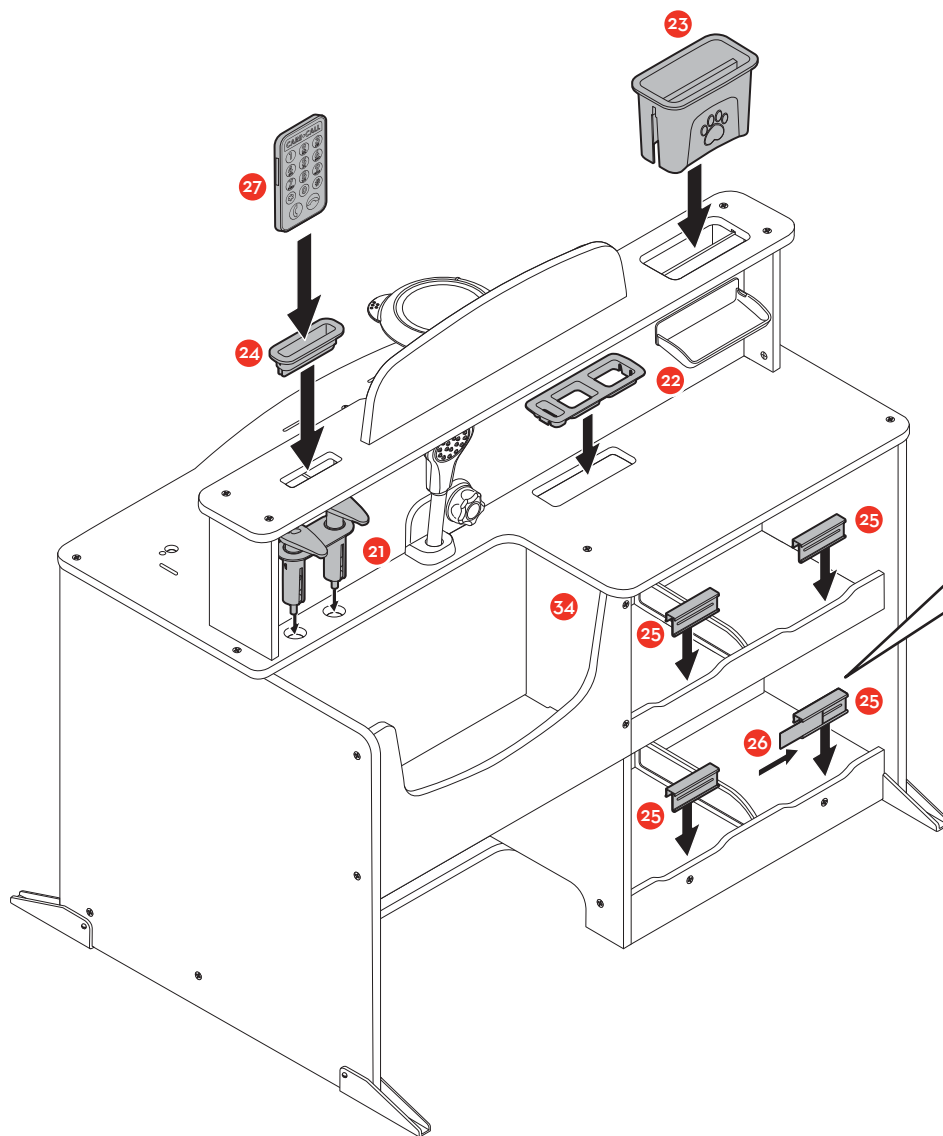
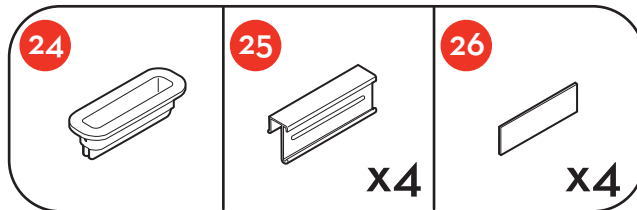
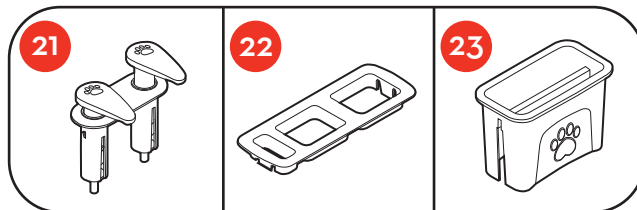
- First, insert the treat tray A (part 17) through the holes in the upper center divider and connect on the opposite side to the treat tray B (part 18).
- Second, insert the tip of the top shelf divider (part 19) into the notch behind the store front top (part O), then lower the divider so the tab fits into the notch in the grooming shelf. Repeat with bottom shelf divider (part 20) behind the store front bottom (part I).



Assembled View

STEP 23 - Hold Everything

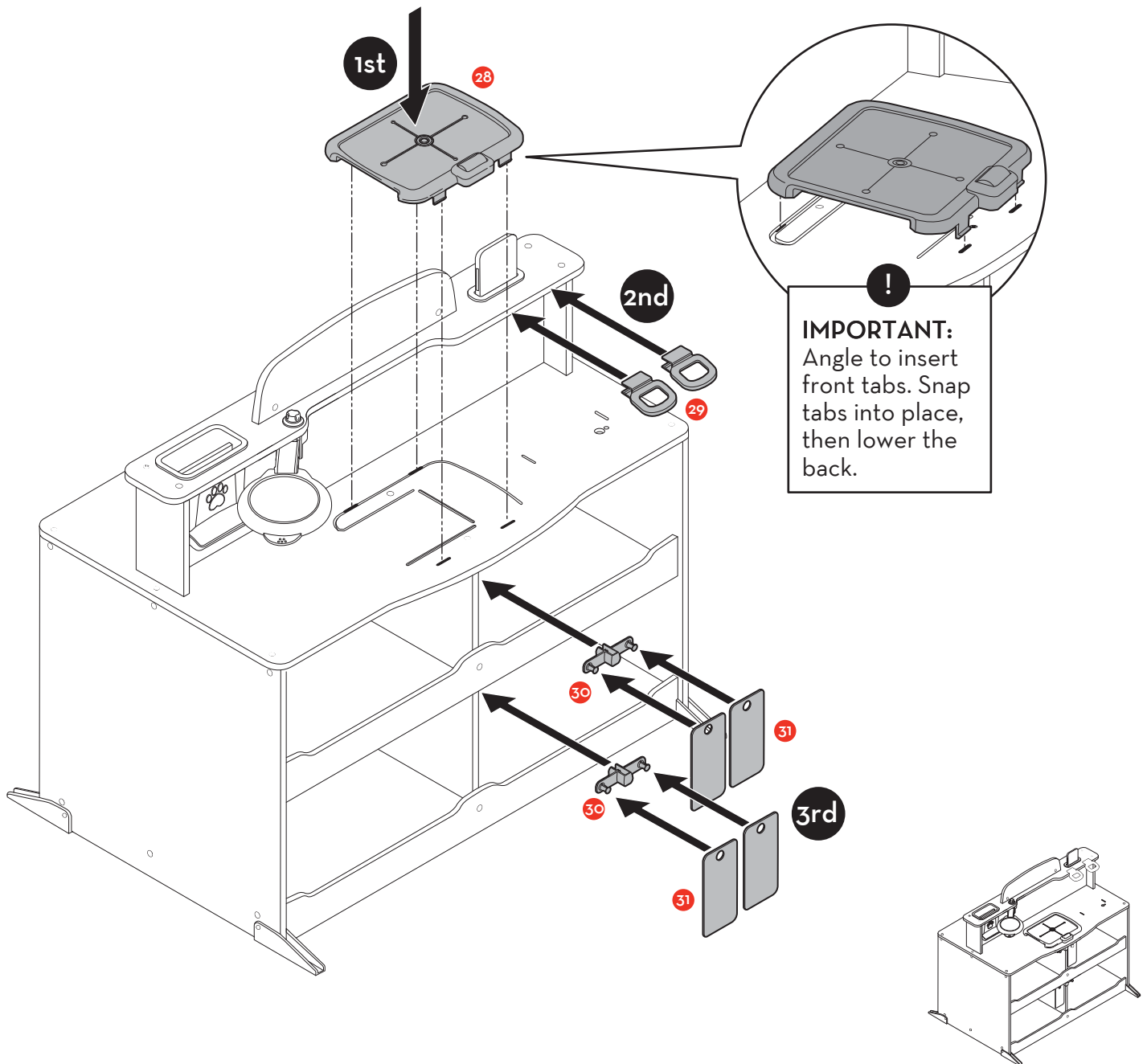
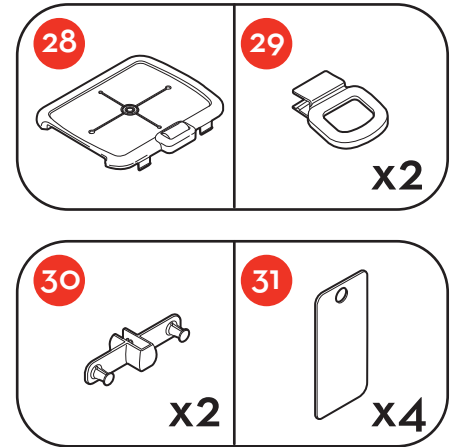
Insert the pump dispenser (part 21), grooming tool holder (part 22), treat chute (part 23), phone cradle (part 24), shelf clips (part 25). Press firmly. Slide shelf clip labels (part 26) into shelf clips. Rest the phone (part 27) in the phone cradle.



Assembled View

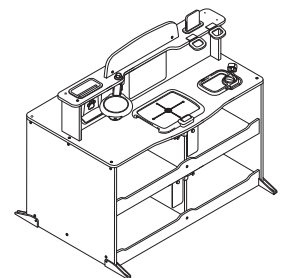
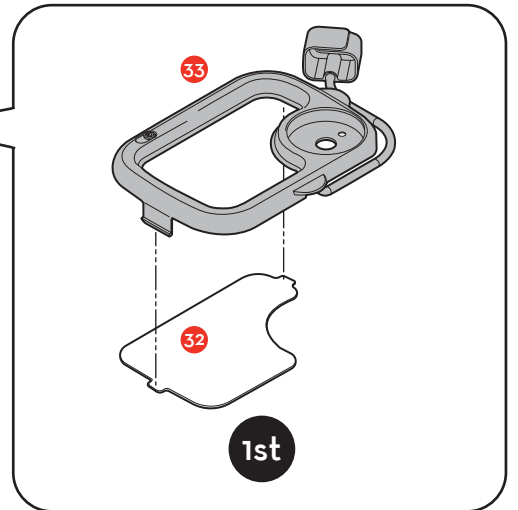
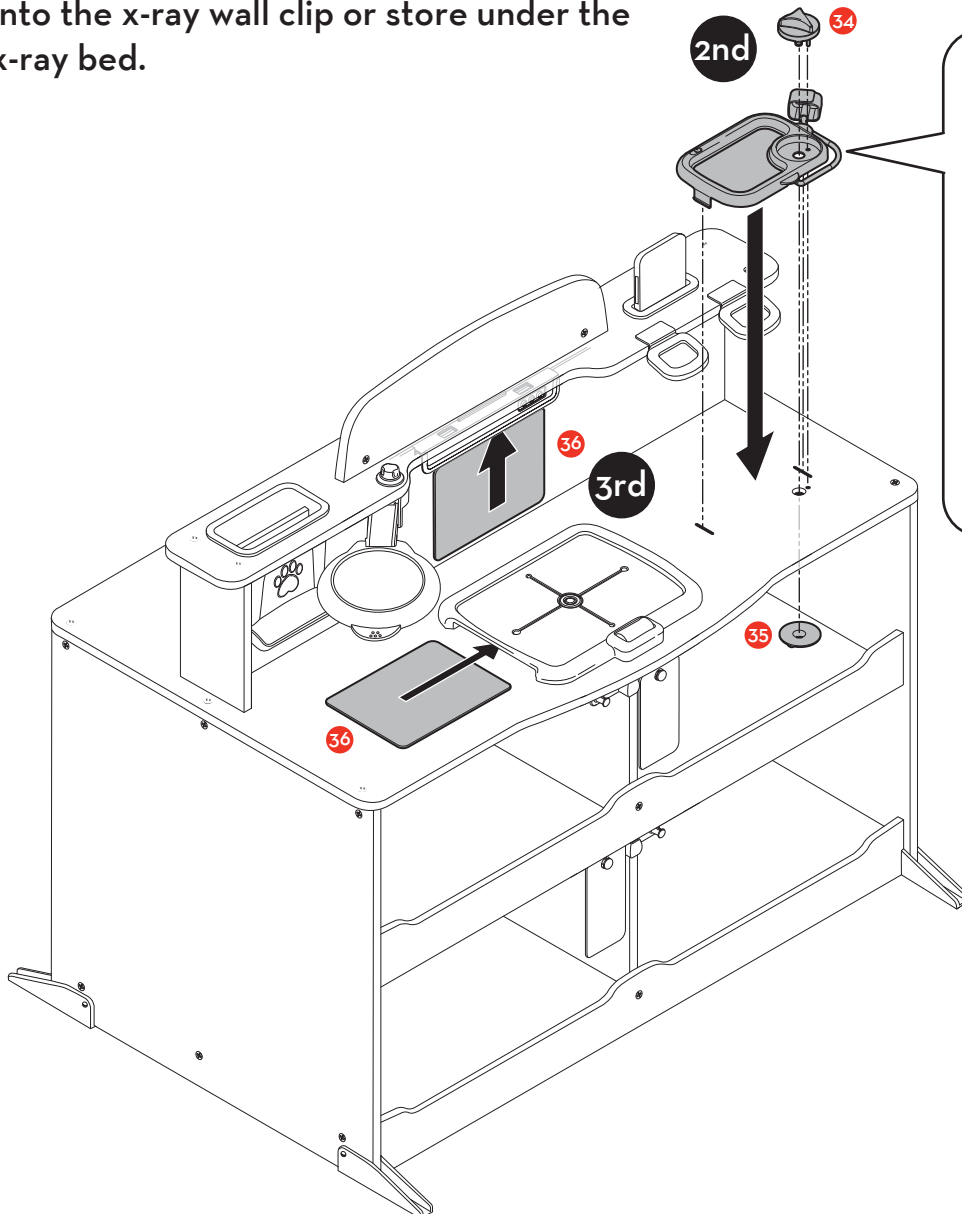
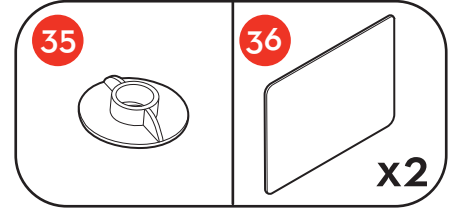
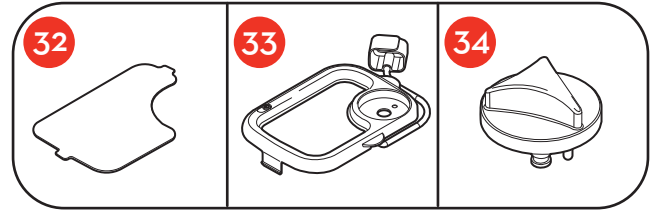
STEP 24 - The Vet Is Set

- First, on the opposite side of the center, attach the x-ray bed (part 28) to the counter. (X-ray bed doubles as a pretend scale and fits loosely to allow some movement.)
- Second, clip the 2 tool clips (part 29) to the upper counter. (These clips are movable and can go anywhere!)
- Third, attach the kennel hooks (part 30) to the vertical divider. Hang pet ID cards (part 31) from kennel hooks.



STEP 25 - What Fun, You're Done

- First, insert the bpm card (part 32) into the bpm base (part 33).
- Second, attach the blood pressure monitor to the counter. Insert the blood pressure knob (part 31) through the holes in the blood pressure monitor and the counter. From underneath the counter, connect the blood pressure knob with the blood pressure knob back (part 32).
- Third, slide the x-ray cards (part 36) up into the x-ray wall clip or store under the x-ray bed.



Assembled View

YOU DID IT!

Now the real fun begins—it's time to examine, treat, groom, and care for plush pets of all shapes and sizes! Here are some of the special features of the Animal Care Activity Center:

- **MULTI-SIDED FOR ALL AROUND FUN:** Take care of all of favorite stuffed animals' needs! There's a vet side for examining play pets and treating injuries and illnesses, a grooming side for bathing, pampering, and boarding, an hours of operation sign on one end, and an adorable growth chart on the other.
- **EXAMINATION ESSENTIALS:** Young veterinarians have all the latest tools at their disposal! There's a movable x-ray arm with an examination lens, and a blood pressure monitor with a paw cuff and a dial that turns and clicks. Hang x-rays or store them under the scale that jiggles like the real thing and has a rolling dial to pretend to weigh animals.
- **OVERNIGHT STAYS:** Keep recovering patients cozy and safe or provide a home for animals waiting to be adopted in four spacious kennel cubbies. Hang the included double-sided reusable Adoption Certificates/Care Checklists on built-in hooks on the front of each cubby.
- **ROOM TO GROOM:** Pamper plush pets until they are fluffy and feeling fine! There's ample space to brush, trim, and clip. There are built-in grooming gadget holders and hooks, and two movable tool clips to neatly store accessories (not included).
- **SPRAY NOZZLE & PUMPS:** An extra-deep tub/sink holds dirty animals of all sizes! Press the "shampoo" and "conditioner" pumps, turn and click the shower knob, pull out the spray nozzle hose, and pretend to splish and splash with pets until they are cuddly and clean! There's even a hook to hang a wash cloth or towel.
- **DISPLAY PET PRODUCTS:** Shelves under the grooming table come with shelf clips and labels so young entrepreneurs can set up a full-service pet shop and sell their wares!
- **FOR THE VET & GROOMER:** A top shelf offers extra storage space, but so much more! The phone cradle holds the included wooden phone so vets and groomers can take calls, make appointments, and contact caregivers when their pets are good to go! A double-sided treat dispenser offers a place to keep rewards for good patients and customers.
- **SAFETY FIRST:** High-quality materials ensure strength and durability, while smooth, curved corners and edges offer peace of mind.

ACCESSORIZE

The Melissa & Doug pet play sets and accessories offer lots of options for stocking and playing with the Animal Care Activity Center! To check out a wide range of plush animals, play sets, and more, visit us at MelissaAndDoug.com!

