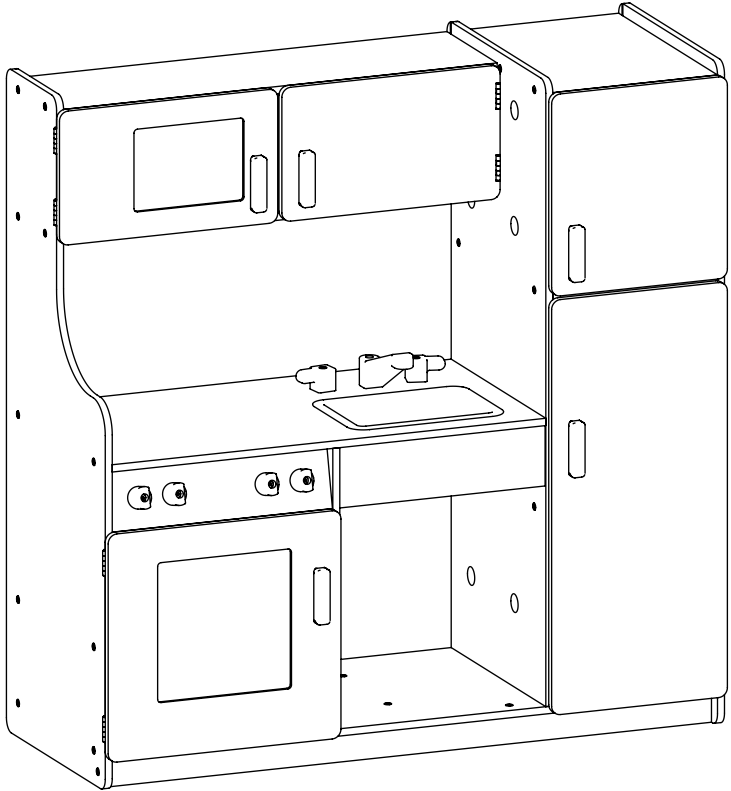





Deluxe Kitchen

Assembly Instructions

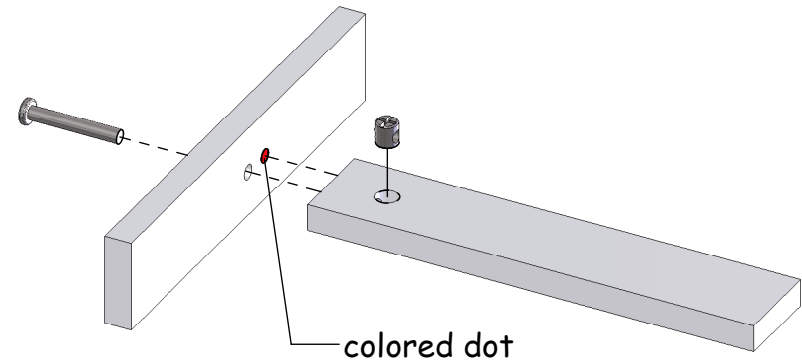
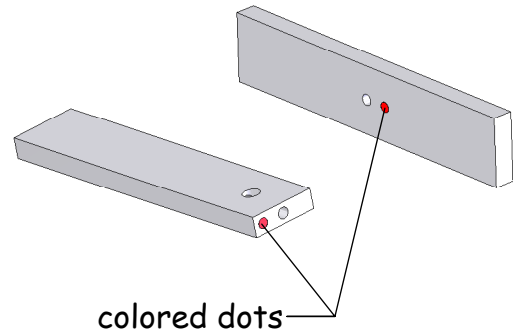


Melissa & Doug, LLC
All Rights Reserved
www.MelissaAndDoug.com

 **CAUTION:**
Adult assembly required.

Deluxe Kitchen

Our exclusive Color Dot Matching System makes assembly easier!



Simply find the parts you need to assemble and match the same colored dots found on each part.

The colored dots will ensure that the parts are in the proper position.

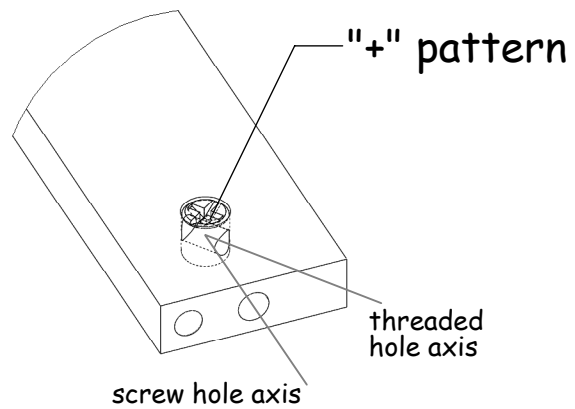
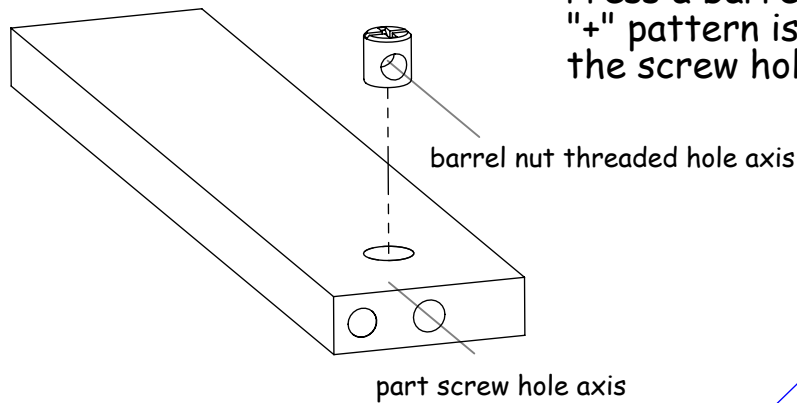
When positioned correctly, the colored dots will face each other as you assemble the parts and be hidden after the parts are fastened securely.

Please Note - parts are generally numbered in the order of their assembly, so it may be easier to lay them out in numerical order before you begin.

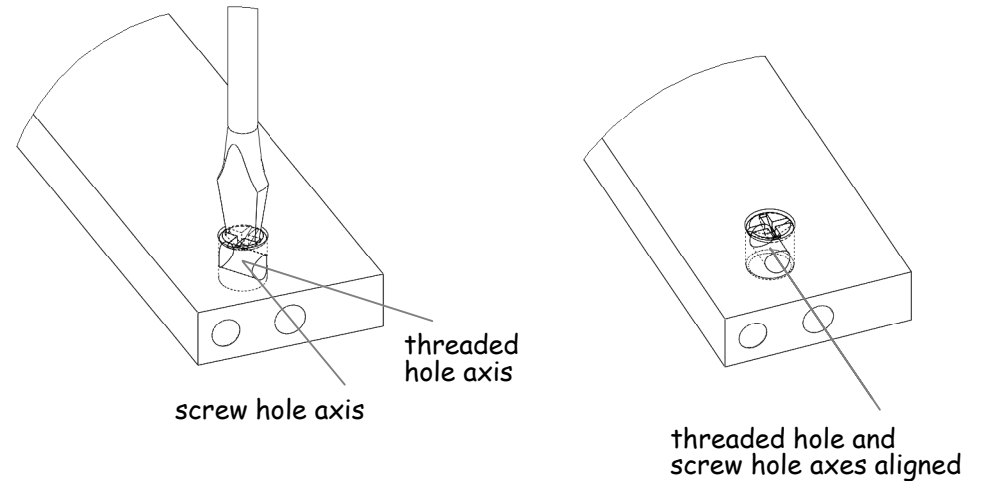
Deluxe Kitchen

How to correctly install barrel nuts

Press a barrel nut into the hole in the part making sure that the "+" pattern is facing out, and aligning the threaded hole axis with the screw hole axis in the part.

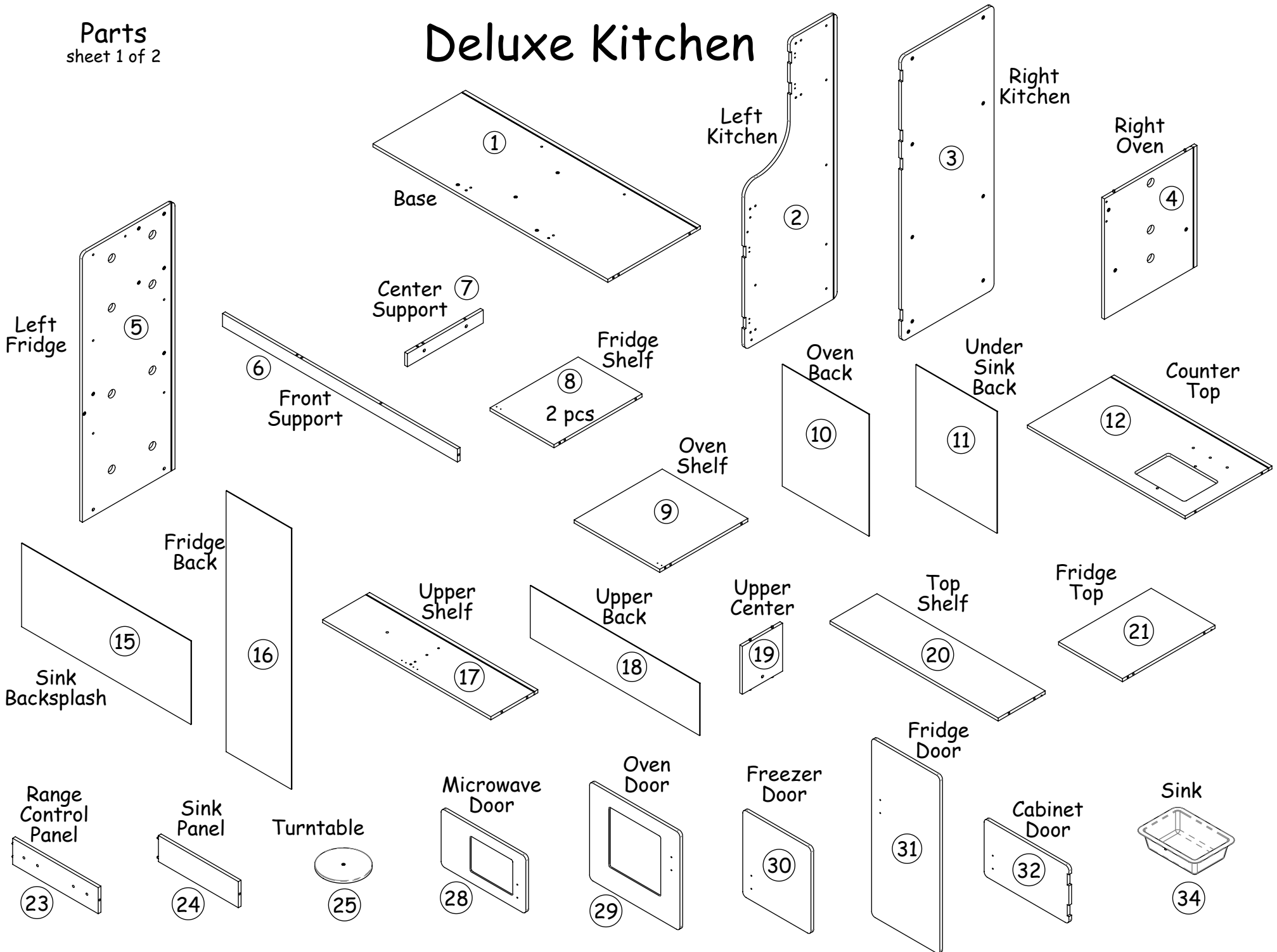


If after insertion the barrel nut looks like this - where the threaded hole axis is not aligned with the screw hole axis, proceed with the next step.



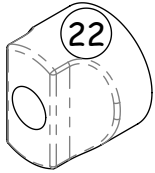
Using a standard or Phillips screwdriver, rotate the barrel nut until the "+" is straight and the threaded hole axis is aligned with the screw hole axis.

Deluxe Kitchen



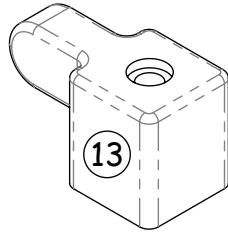
Deluxe Kitchen

Range Knob



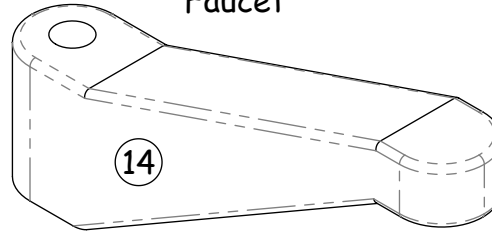
4 pcs

Sink Knob

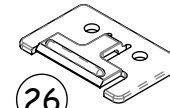


2 pcs

Sink Faucet

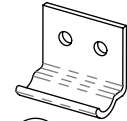


Door Latch Plate



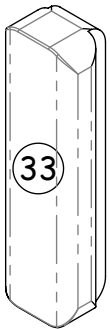
5 pcs

Door Latch



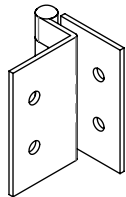
5 pcs

Door Handle



5 pcs

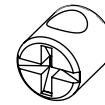
Door Hinge



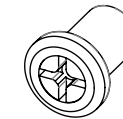
10 pcs

Fastener hardware
shown actual size.

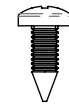
Extra pieces of hardware
may be included.



Barrel Nut
45 pcs
Package J



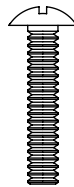
Cap Nut
8 pcs
Package H



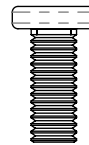
Sheet metal screw
M3 x 10
22 pcs
Package G



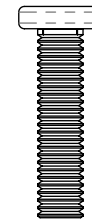
Machine
Screw
M4 x 9
40 pcs
Package F



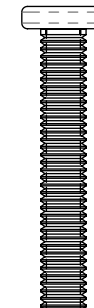
Machine
Screw
M4 x 21
10 pcs
Package E



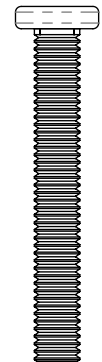
Hex socket
screw M6 x 15
1 pc
Package D



Hex socket
screw M6 x 25
4 pcs
Package C



Hex socket
screw M6 x 37
3 pcs
Package B



Hex socket
screw M6 x 44
45 pcs
Package A



Hex Key
1 pc

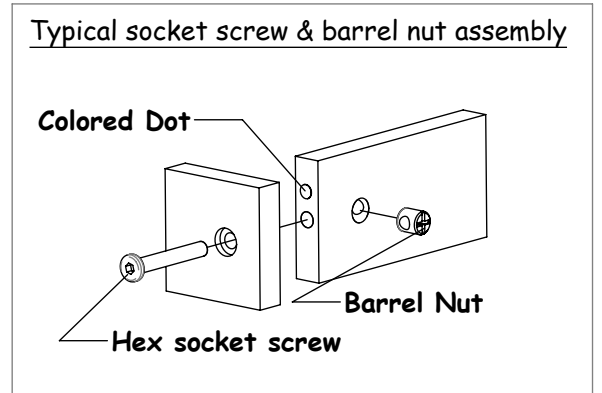
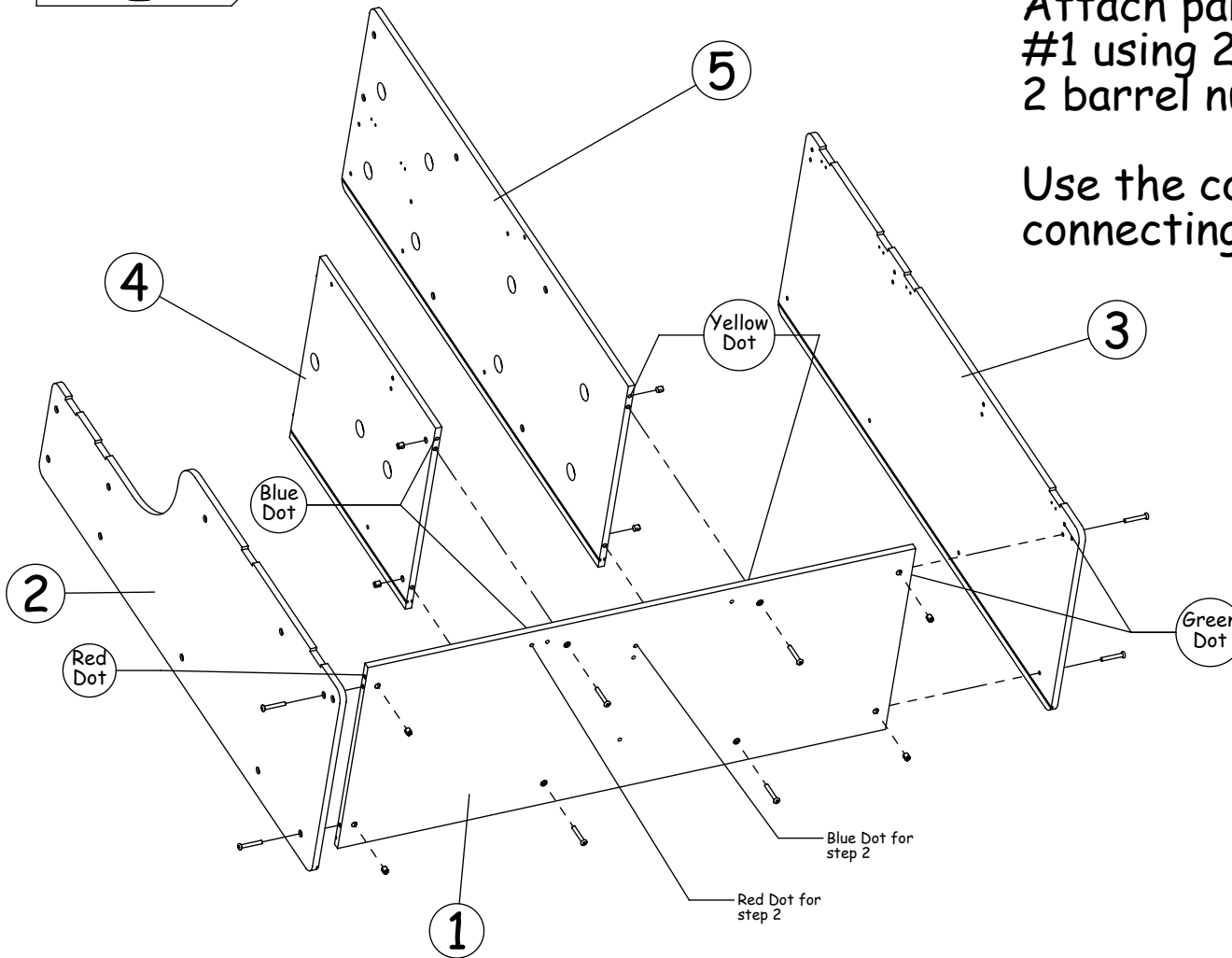
Deluxe Kitchen

Check when Done

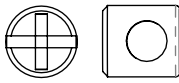


STEP 1

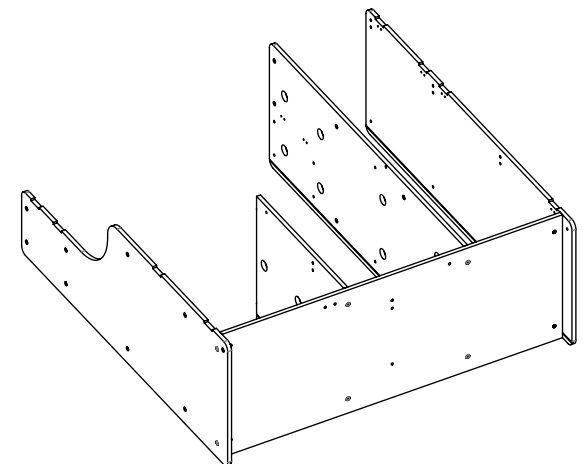
Attach parts #2, 3, 4 and 5 to part #1 using 2 hex socket screws (A) and 2 barrel nuts (J) to attach each part.

Use the colored dots to align the connecting panels.



Fasteners used in this step

8 Barrel Nuts	Full Size	8 Hex socket screws
		
Package J		Package A



Assembled View

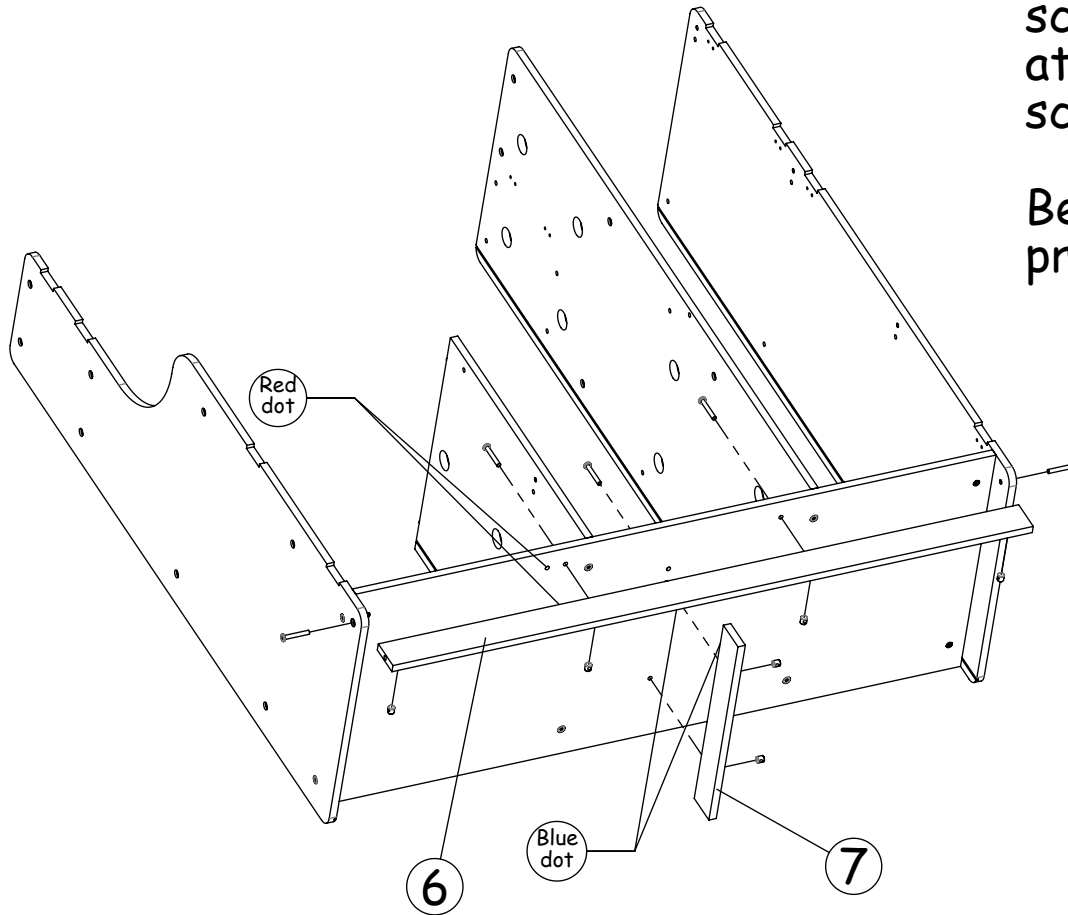
Deluxe Kitchen

Check when Done

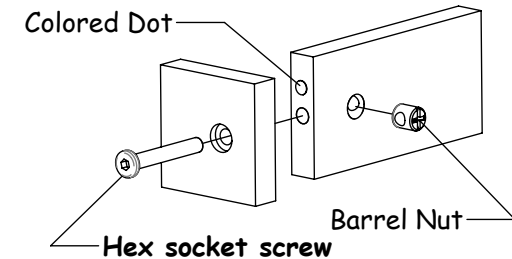
STEP 2

Attach part #6 using 4 hex socket screws (A) and 4 barrel nuts (J). Then attach part #7 using 2 hex socket screws (A) and 2 barrel nuts (J).

Be sure to use the colored dots for proper alignment.



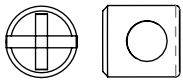
Typical socket screw & barrel nut assembly



Fasteners used in this step

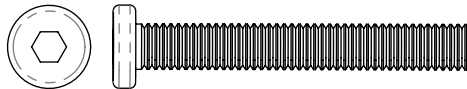
Full Size

6 Barrel Nuts

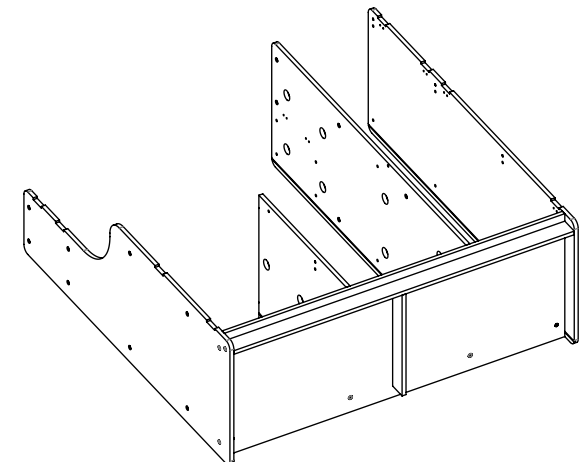


Package J

6 Hex socket screws



Package A

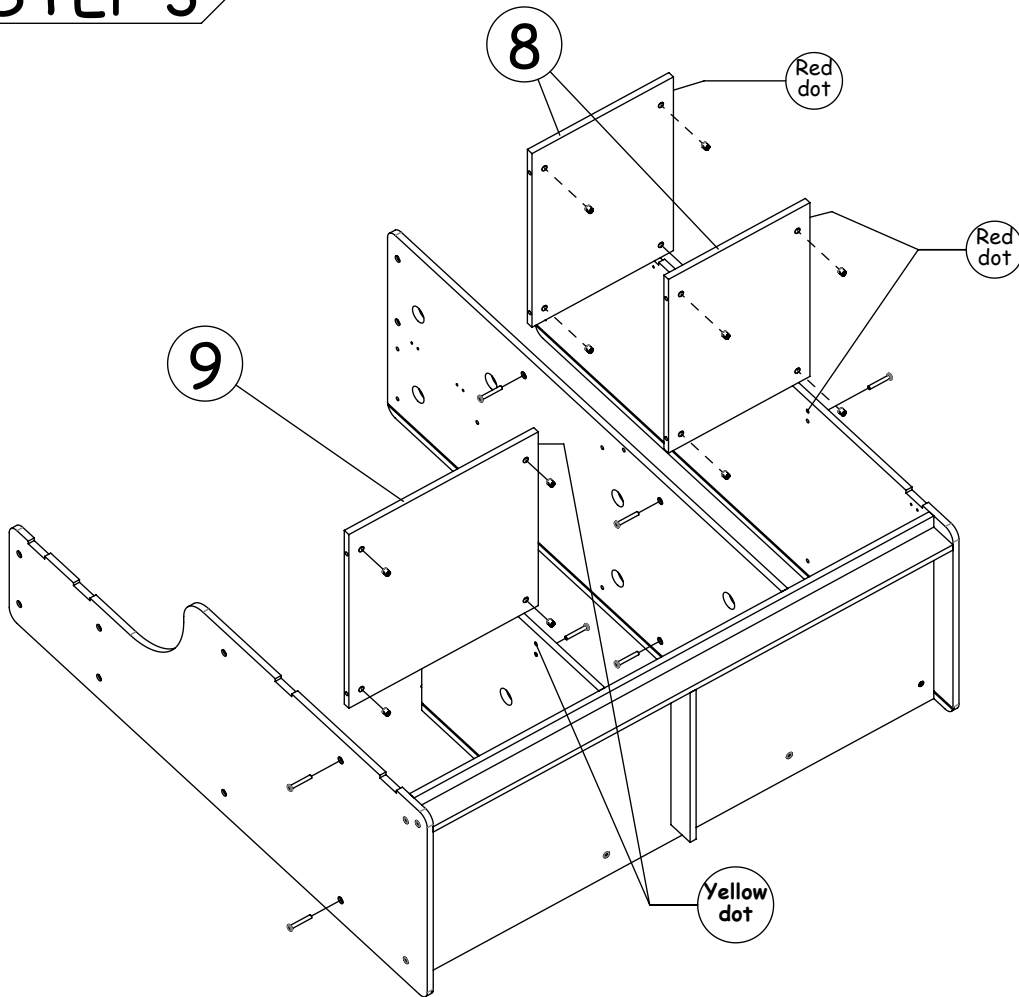


Assembled View

Deluxe Kitchen

Check when Done

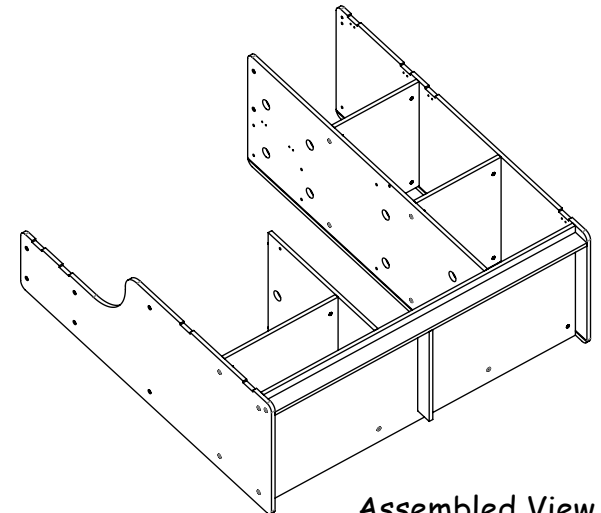
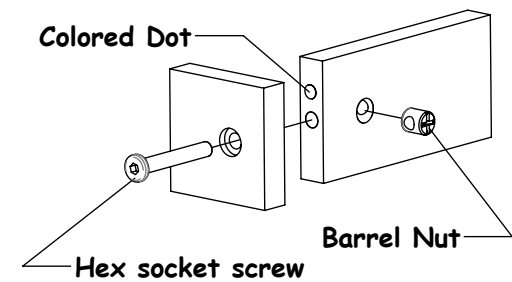
STEP 3



Attach 2 fridge shelves, part #8, using 4 hex socket screws (A) and 4 barrel nuts (J) for each shelf. Also attach the oven shelf, part #9, with 4 hex socket screws (A) and 4 barrel nuts (J).

Use the colored dots to align the panels.

Typical socket screw & barrel nut assembly



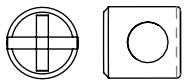
Assembled View

Fasteners used in this step

12 Barrel Nuts

Full Size

12 Hex socket screws



Package J

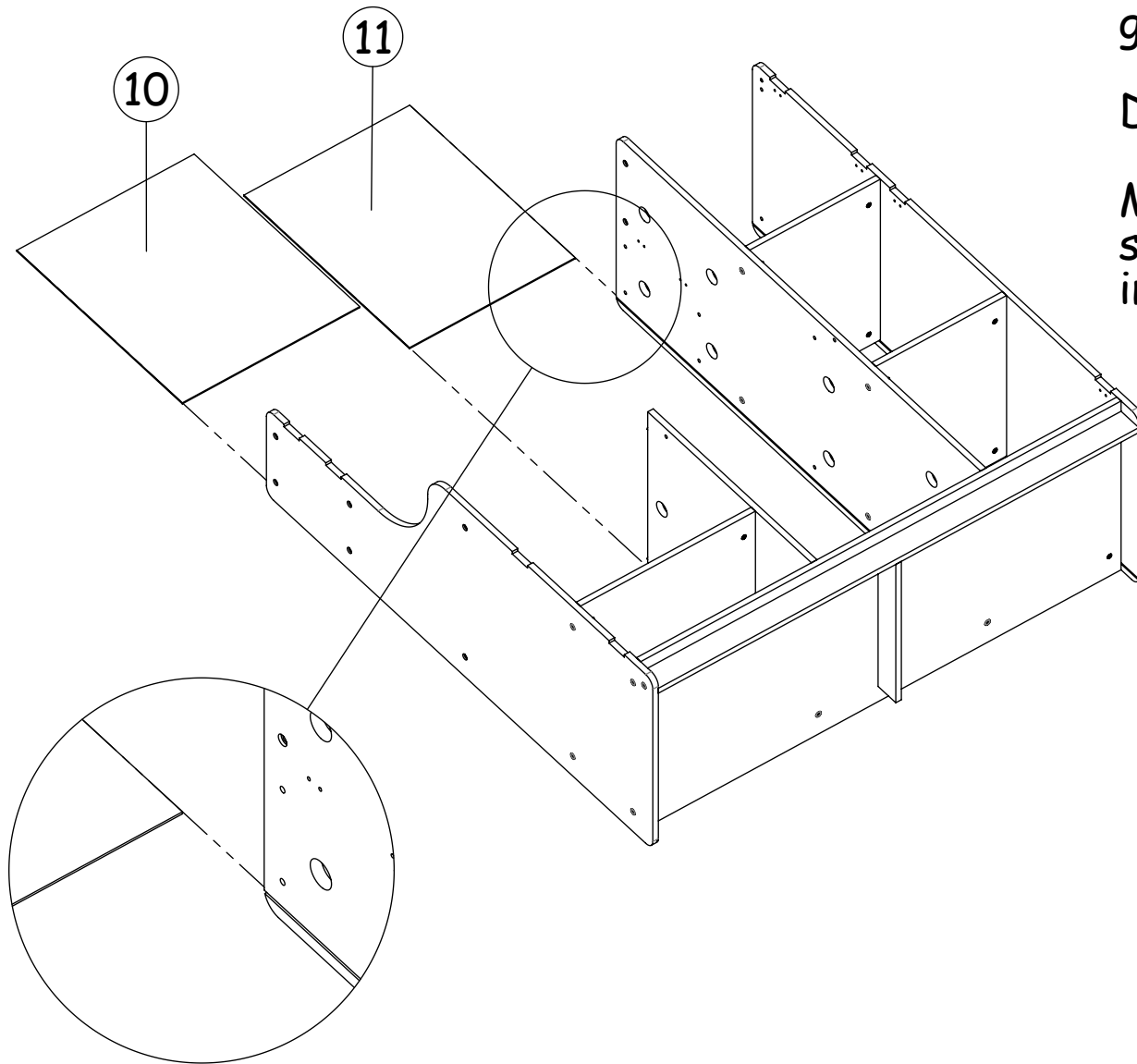


Package A

Deluxe Kitchen

Check when Done

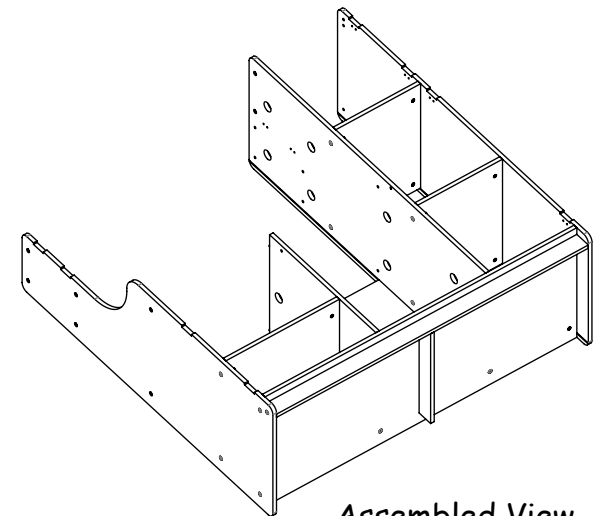
STEP 4



Slide panel #10 between the grooves as shown.

Do the same with panel #11.

Make sure that the panels slide all the way down and fit in the grooves at the bottom.

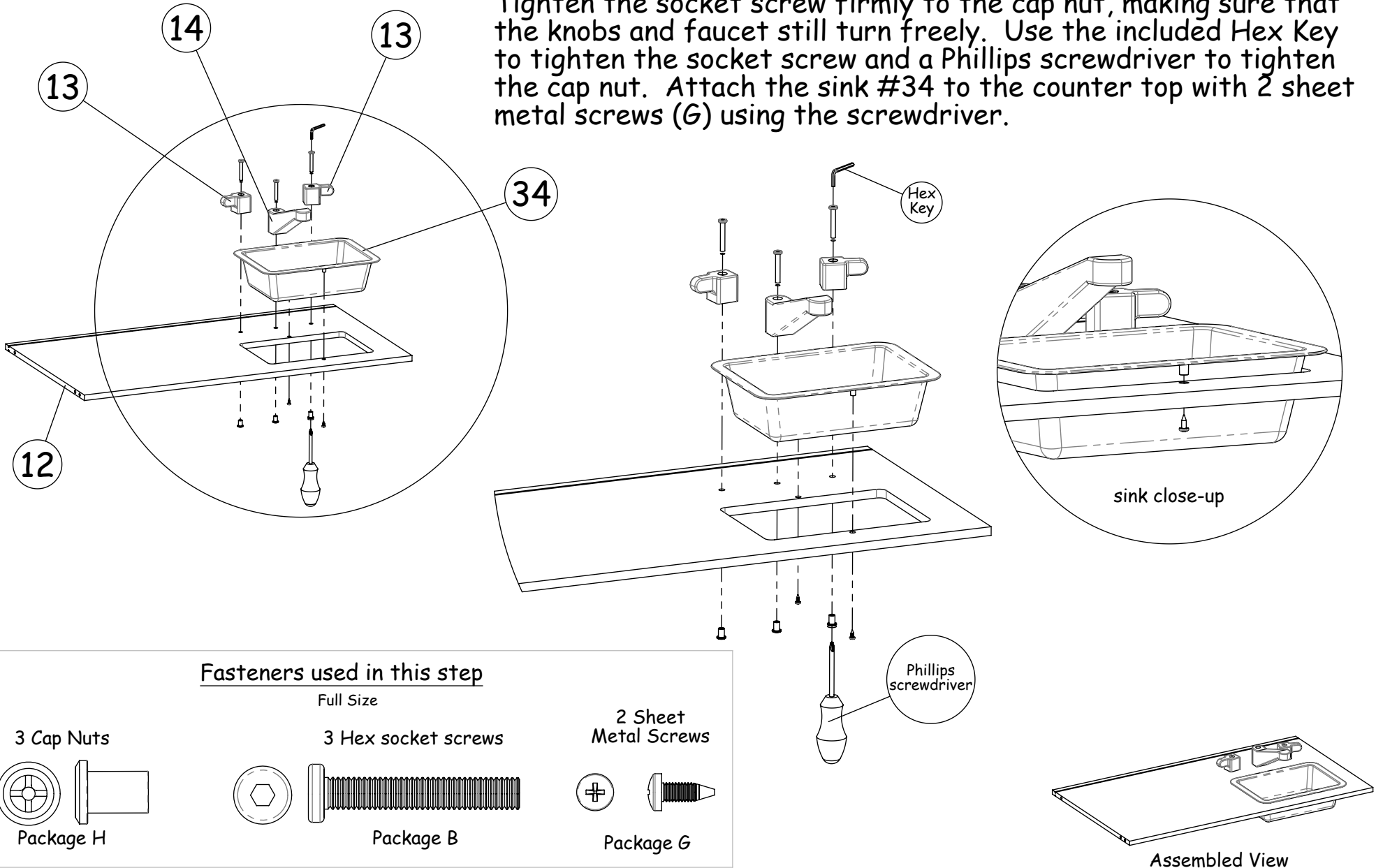


Deluxe Kitchen

Check when Done

STEP 5

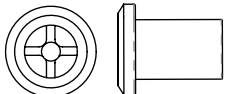
Attach 2 sink knobs #13 and the faucet #14 to the counter top part #12, using a hex socket screw (B) and cap nut (H) for each. Tighten the socket screw firmly to the cap nut, making sure that the knobs and faucet still turn freely. Use the included Hex Key to tighten the socket screw and a Phillips screwdriver to tighten the cap nut. Attach the sink #34 to the counter top with 2 sheet metal screws (G) using the screwdriver.



Fasteners used in this step

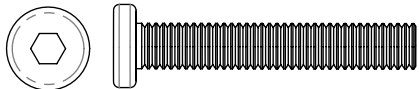
Full Size

3 Cap Nuts



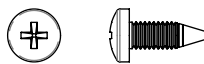
Package H

3 Hex socket screws



Package B

2 Sheet Metal Screws



Package G

Phillips screwdriver

Assembled View

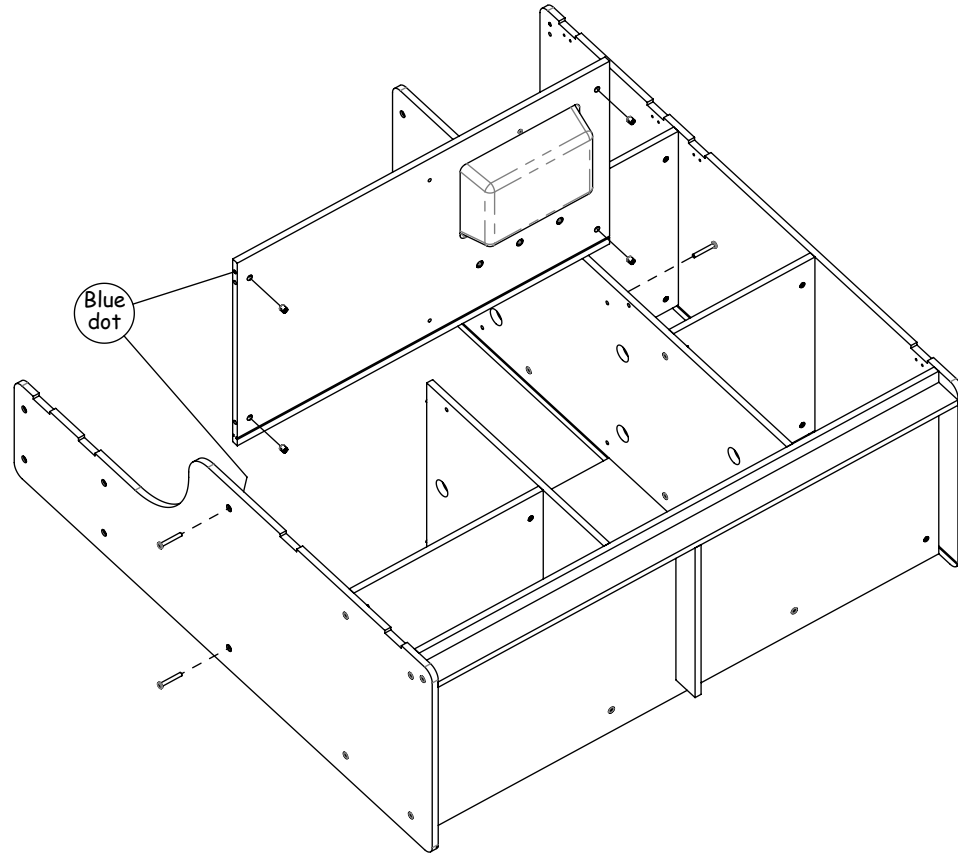
Deluxe Kitchen

Check when Done

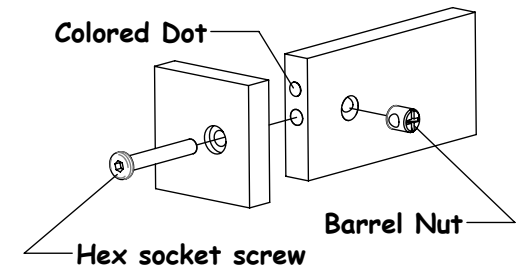
STEP 6

Attach the counter top assembly from Step 5 to the kitchen using 4 hex socket screws (A) and 4 barrel nuts (J).

Align the panel by matching the colored dot on the panel to the dot on the assembled pieces.

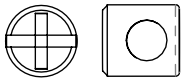


Typical socket screw & barrel nut assembly



Fasteners used in this step

4 Barrel Nuts



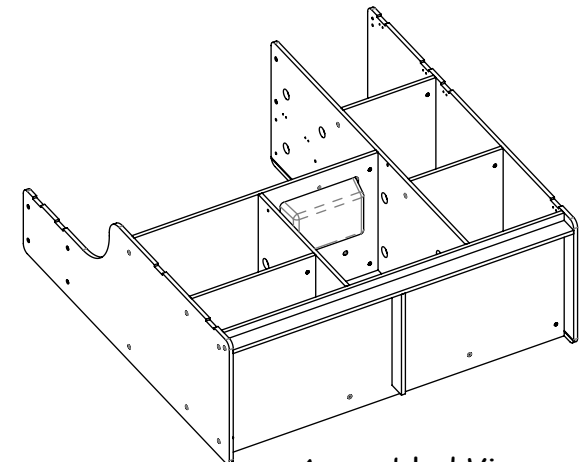
Package J

Full Size

4 Hex socket screws



Package A

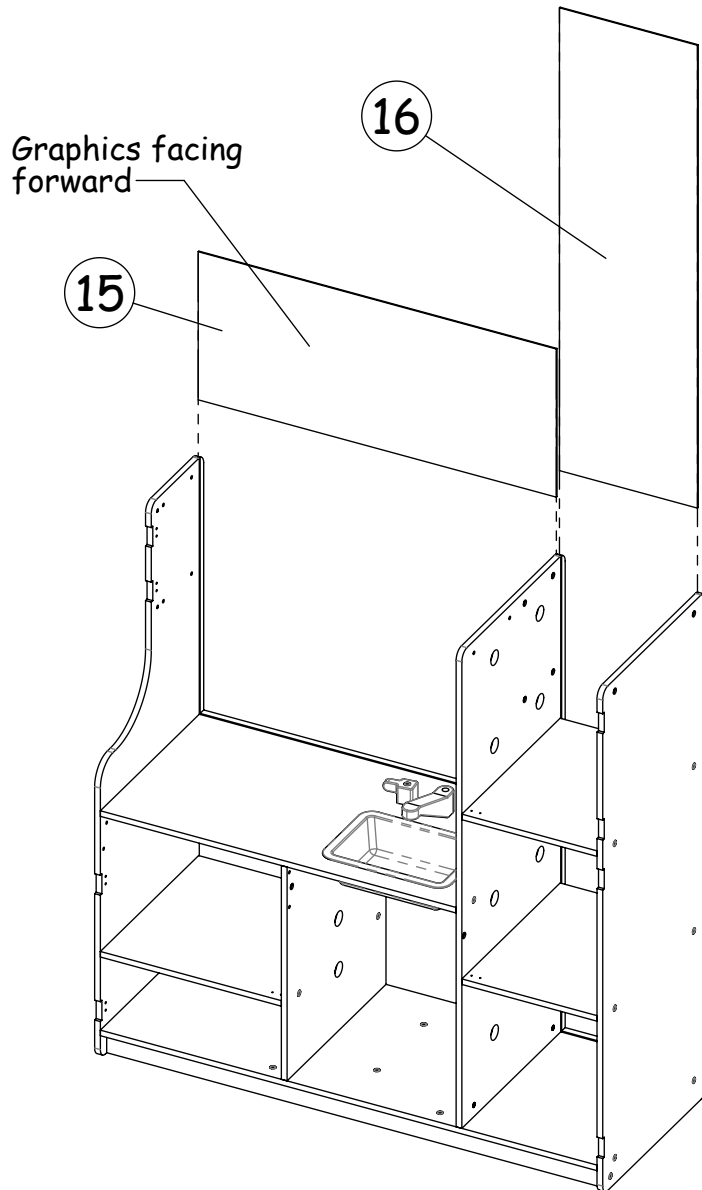


Assembled View

Deluxe Kitchen

Check when Done

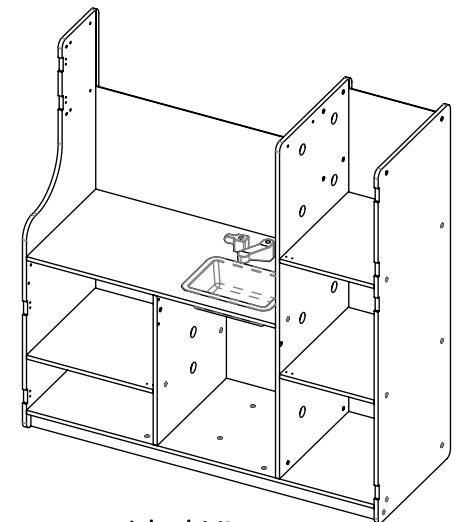
STEP 7



Carefully lift the kitchen to the upright position, as shown.

Slide panel #15 into the side grooves in the kitchen, making sure that the graphics face forward. Then slide in panel #16.

Make sure the panels fit into the grooves at the bottom also.

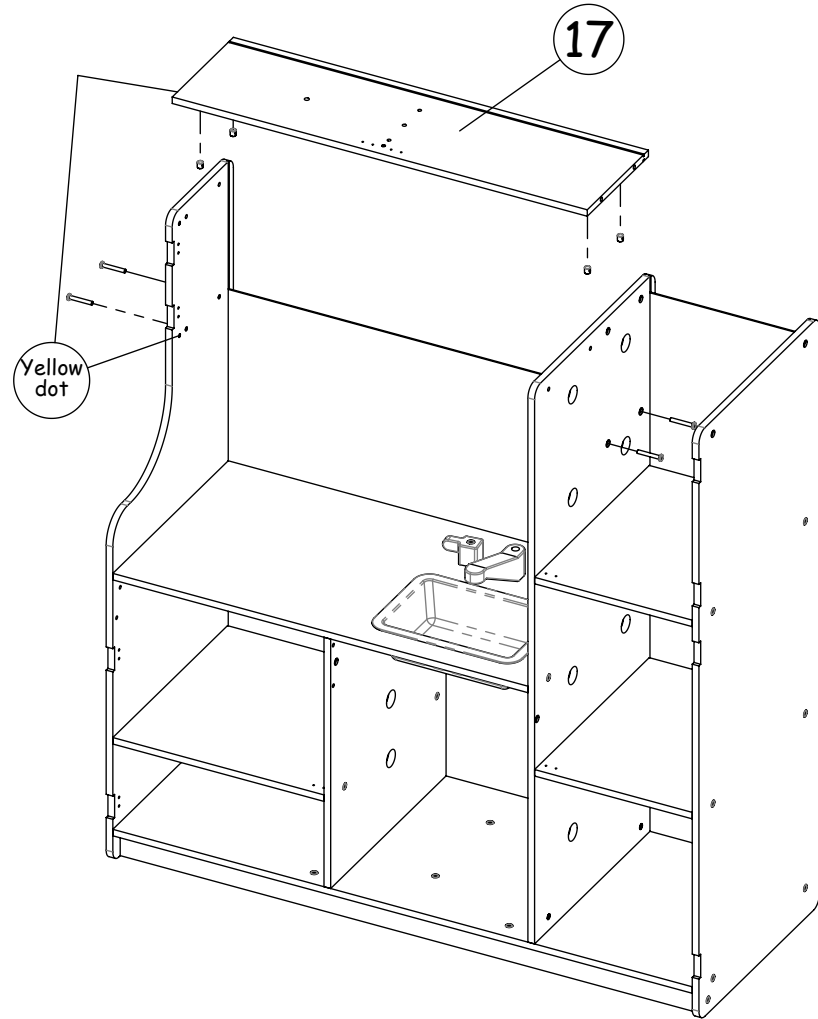


Assembled View

Deluxe Kitchen

Check when Done

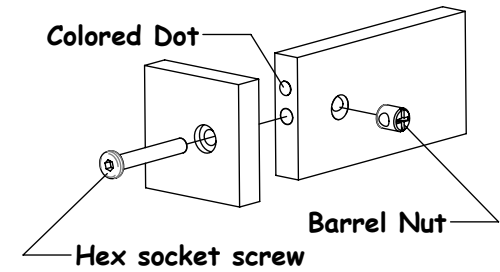
STEP 8



Using 4 hex socket screws (A) and 4 barrel nuts (J), attach part #17 to the kitchen as shown. The groove in the back of the part can rest on the rear panel while assembling the front socket screws, then attach the rear socket screws to complete this step.

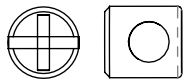
Line up the colored dots for proper panel position.

Typical socket screw & barrel nut assembly



Fasteners used in this step

4 Barrel Nuts



Package J

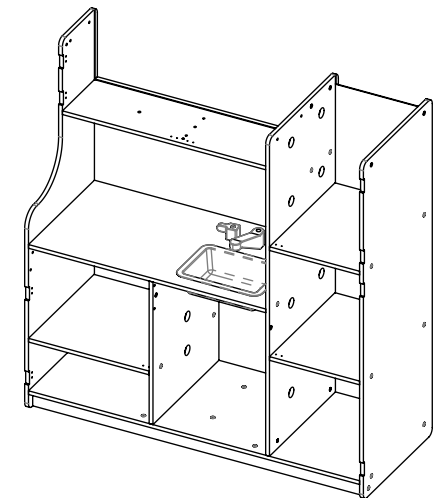
Full Size



4 Hex socket screws



Package A

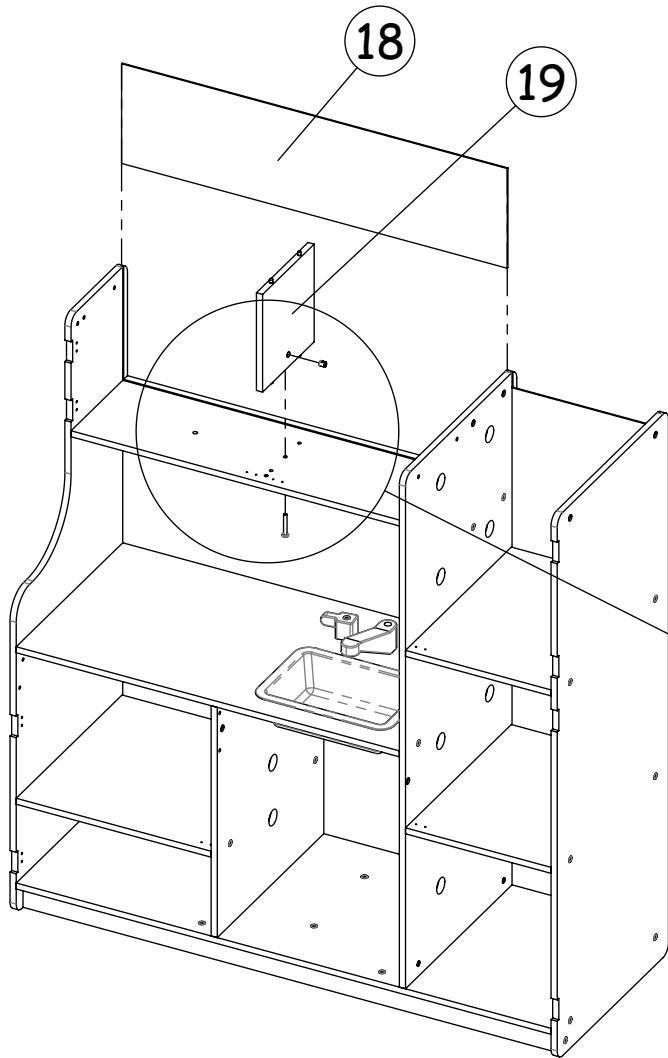


Assembled View

STEP 9

Deluxe Kitchen

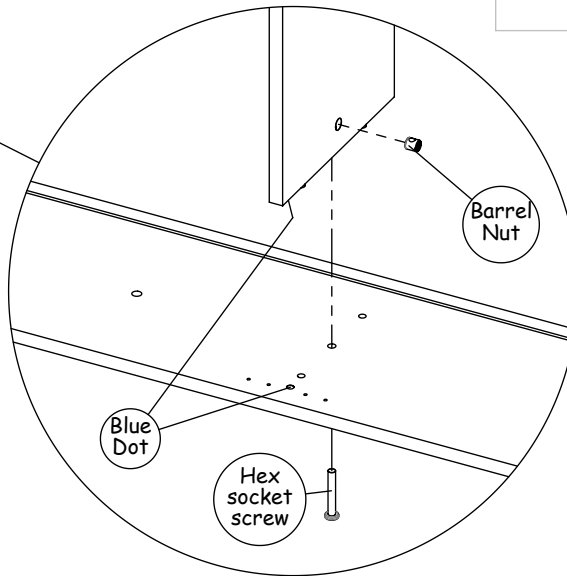
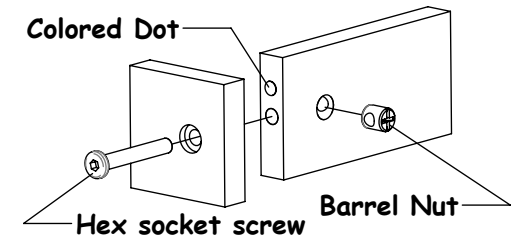
Check when Done



Slide part #18 into the grooves as shown. Then insert the pegs in part #19 into the holes in the shelf and fasten with 1 hex socket screw (A) and 1 barrel nut (J).

Use the colored dots to align part #19.

Typical socket screw & barrel nut assembly



Fasteners used in this step

Full Size

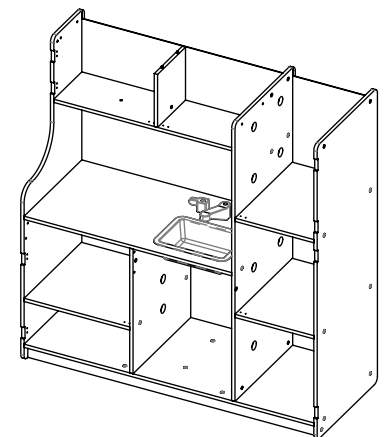
1 Barrel Nut

1 Hex socket screw



Package J

Package A

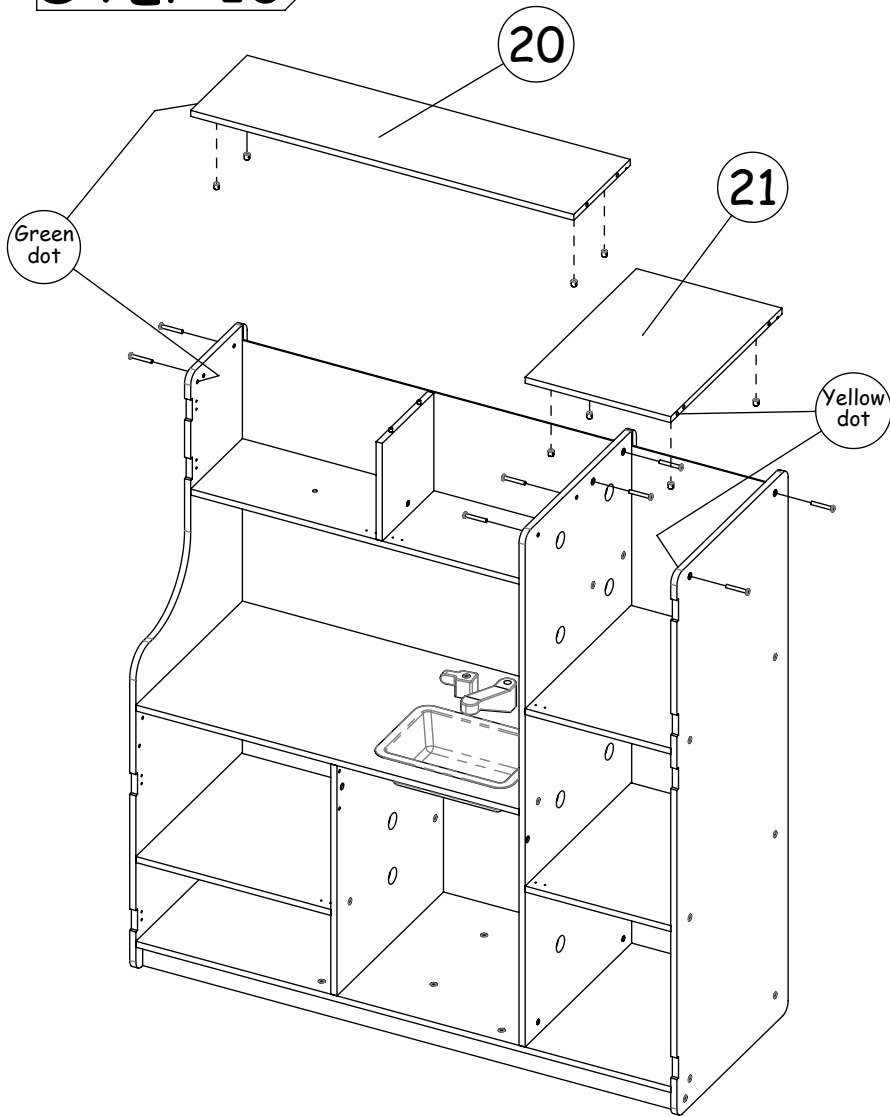


Assembled View

Deluxe Kitchen

Check when Done

STEP 10

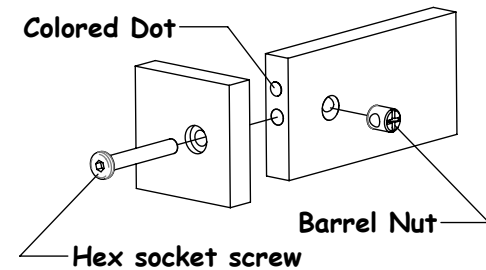


Attach part #20 using 4 hex socket screws (A) and 4 barrel nuts (J).

Attach part #21 with 4 hex socket screws (A) and 4 barrel nuts (J).

Use the colored dots for proper alignment.

Typical socket screw & barrel nut assembly

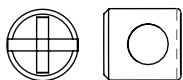


Fasteners used in this step

8 Barrel Nuts

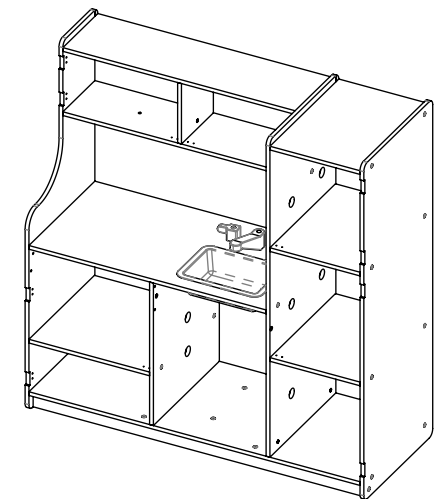
Full Size

8 Hex socket screws



Package J

Package A

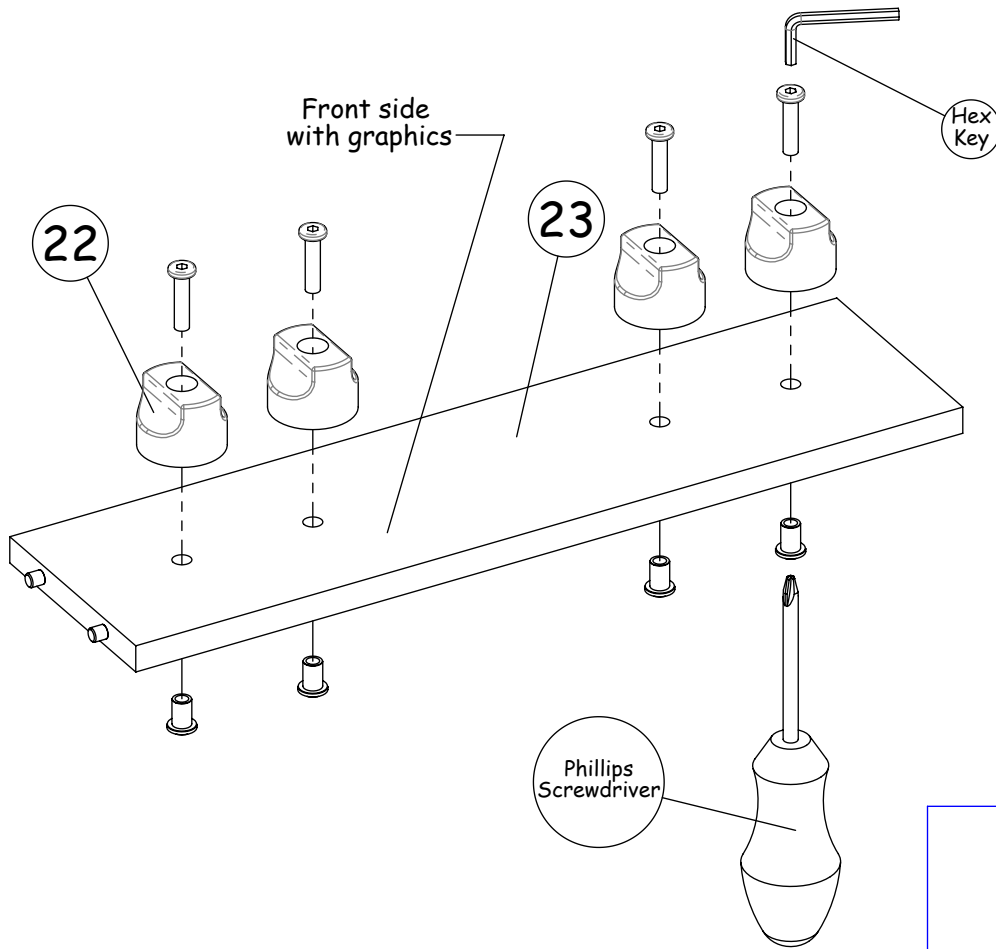


Assembled View

Deluxe Kitchen

Check when Done

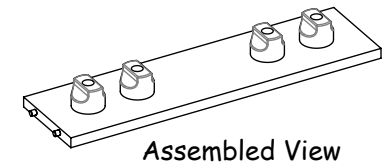
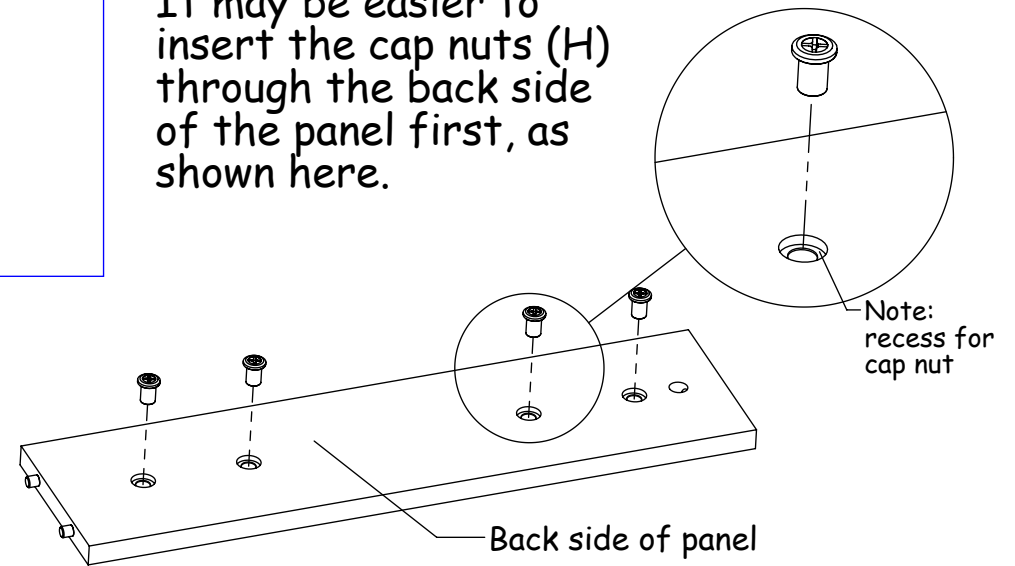
STEP 11



Attach 4 knobs #22 to panel #23 using 1 hex socket screw (C) and cap nut (H) for each knob. Use the included Hex Key to tighten the socket screws while holding the cap nut with a Phillips screwdriver.

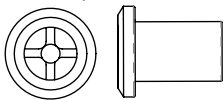
Make sure that the socket screws are tight against the cap nuts and that the knobs still spin freely.

It may be easier to insert the cap nuts (H) through the back side of the panel first, as shown here.



Fasteners used in this step

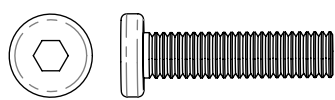
4 Cap Nuts



Package H

Full Size

4 Hex socket screws



Package C

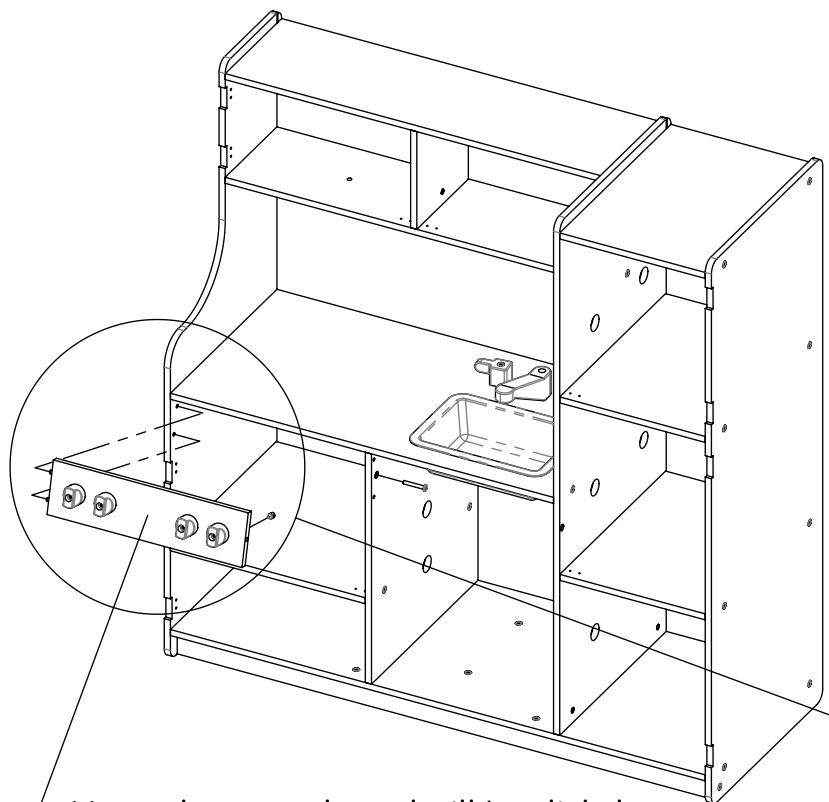
Deluxe Kitchen

Check when Done

STEP 12

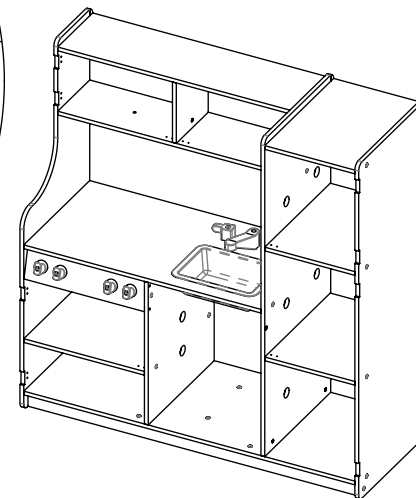
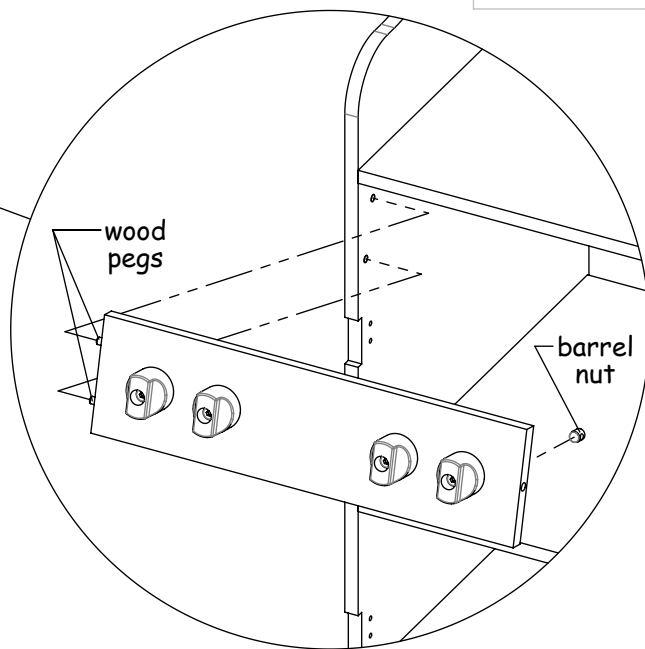
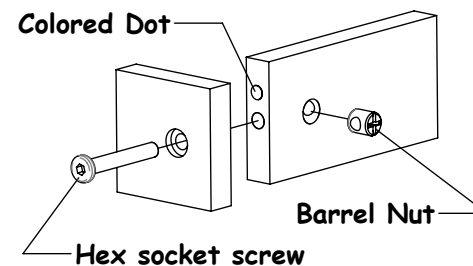
Take the assembled panel from step 11 and fit the 2 wood pegs into the holes as shown. Secure with 1 hex socket screw (A) and barrel nut (J).

Note: the control panel will be slightly angled at the top and bottom.



Note: the control panel will be slightly angled after assembly.

Typical socket screw & barrel nut assembly



Fasteners used in this step

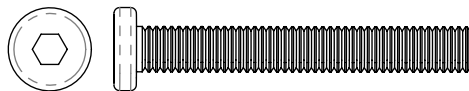
1 Barrel Nut



Package J

Full Size

1 Hex socket screw



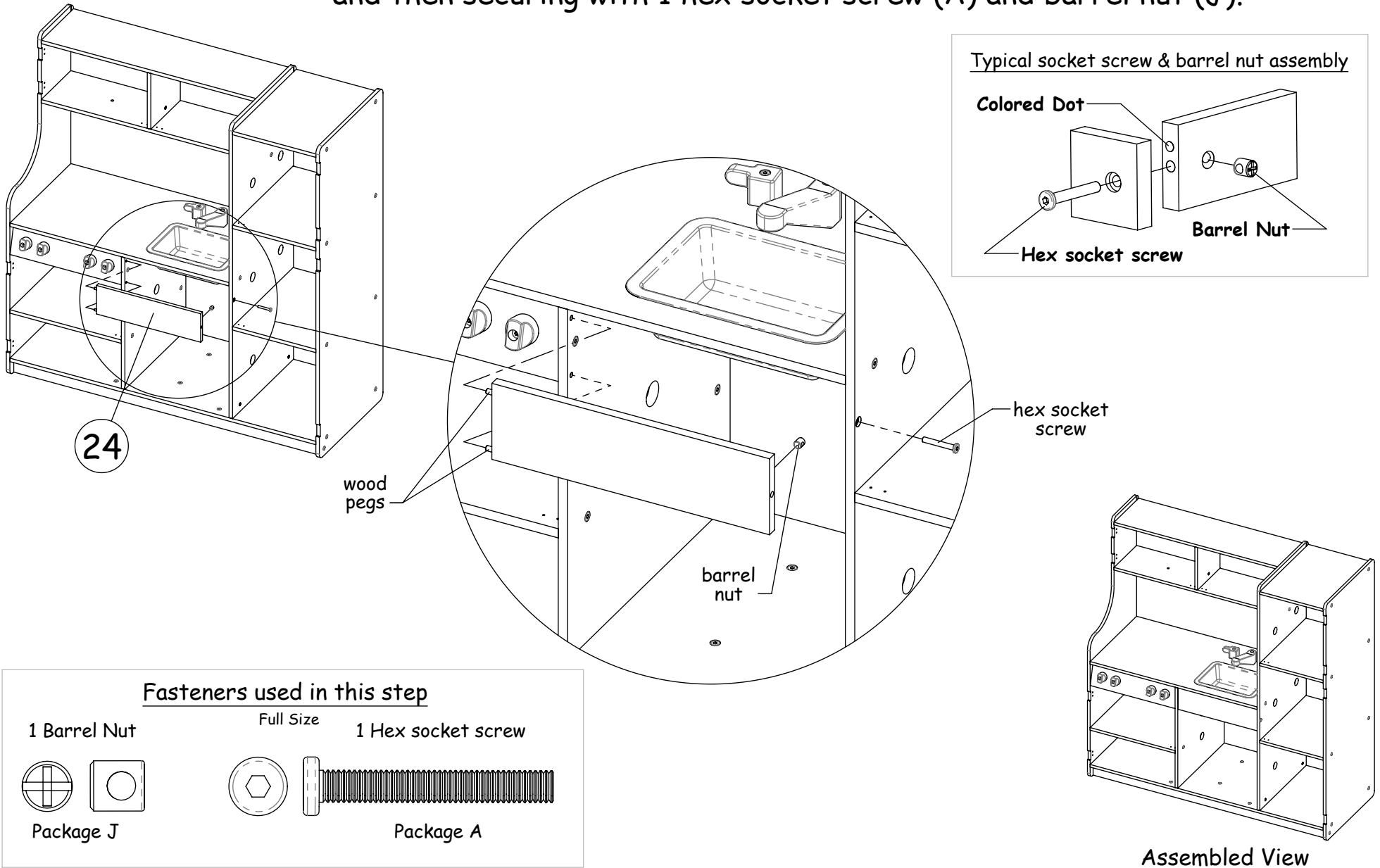
Package A

Deluxe Kitchen

Check when Done

STEP 13

Attach part #24 by inserting the 2 wood pegs into the holes as shown, and then securing with 1 hex socket screw (A) and barrel nut (J).

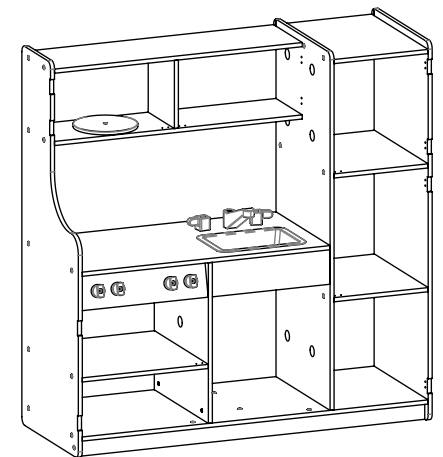
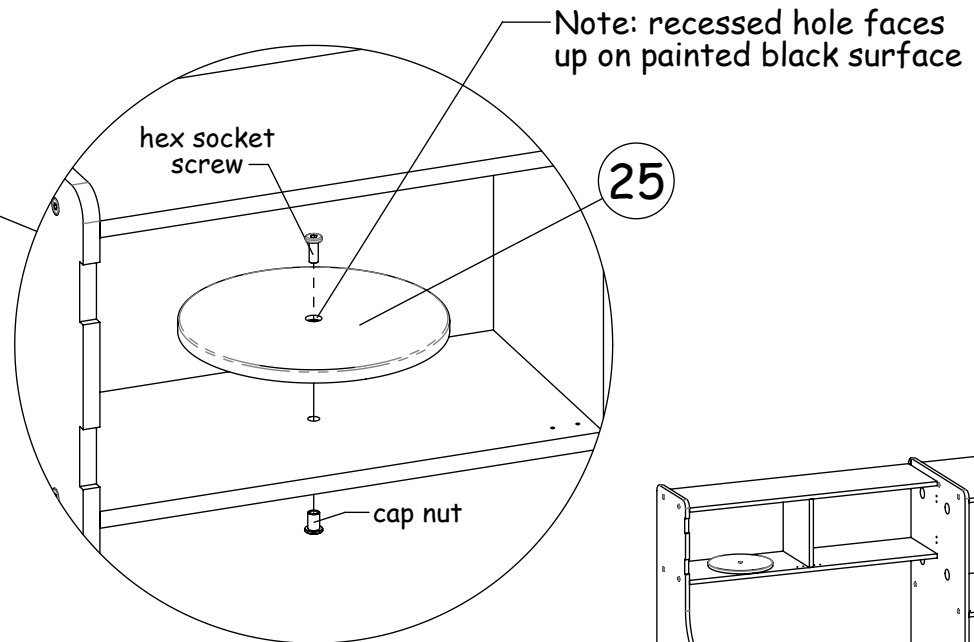
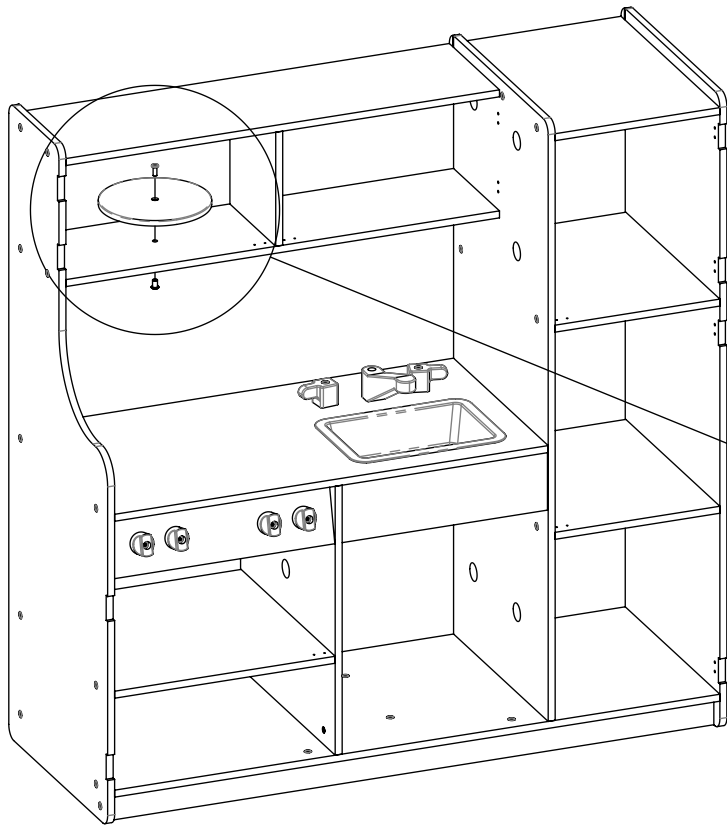


Deluxe Kitchen

Check when Done

STEP 14

Attach part #25 using 1 small hex socket screw (D) and 1 cap nut (H), as shown. Remember to use the included Hex Key to tighten the socket screw and a Phillips screwdriver to tighten the cap nut.

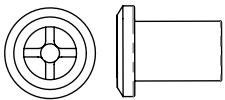


Assembled View

Fasteners used in this step

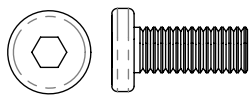
Full Size

1 Cap Nut



Package H

1 Hex socket screw



Package D

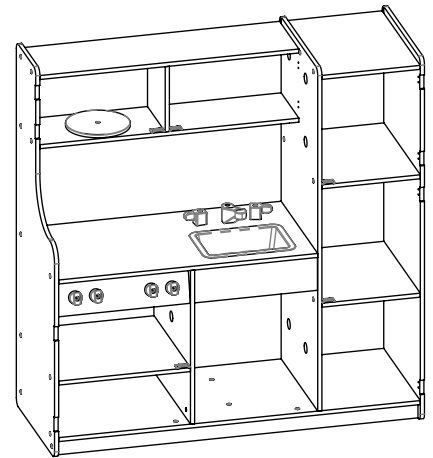
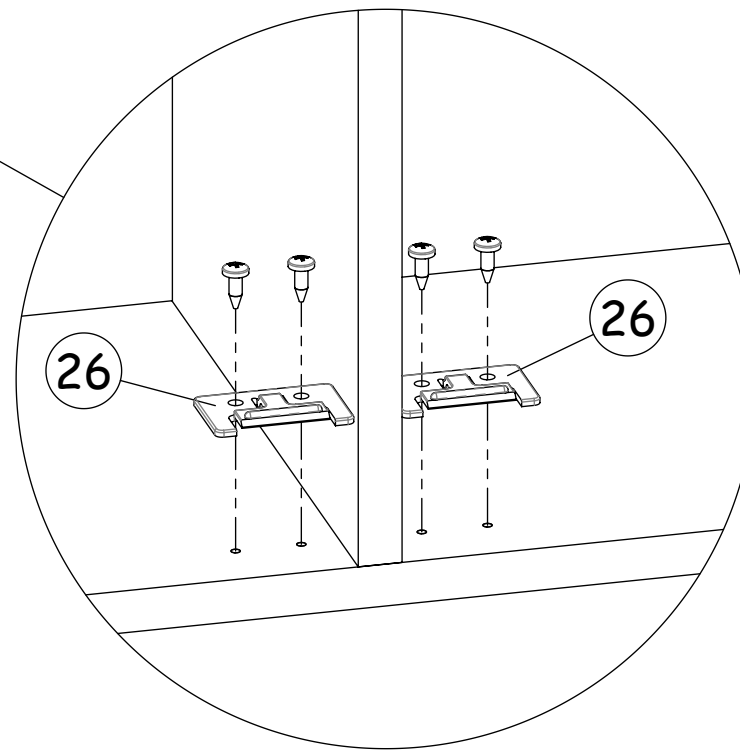
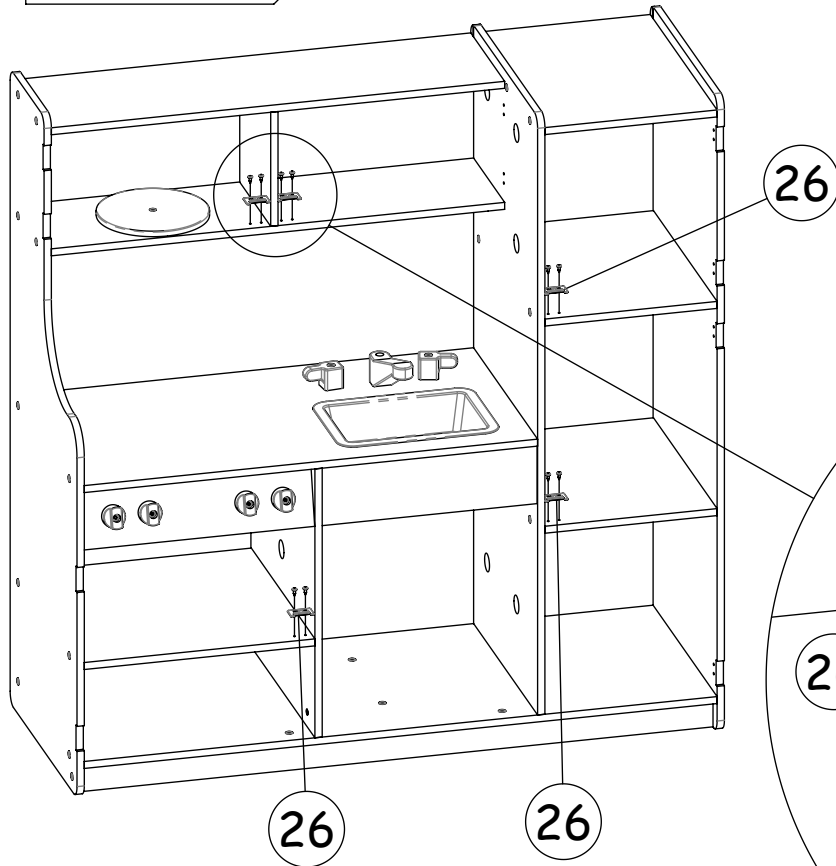
Deluxe Kitchen

Check when Done

STEP 15

Attach the latch plate #26 using 2 sheet metal screws (G) as shown.


Repeat this step on all 5 door locations.



Assembled View

Fasteners used in this step
Full Size

10 Sheet Metal Screws

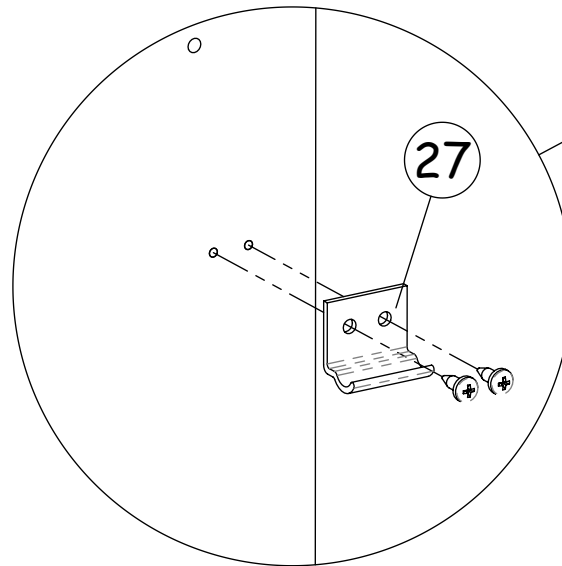
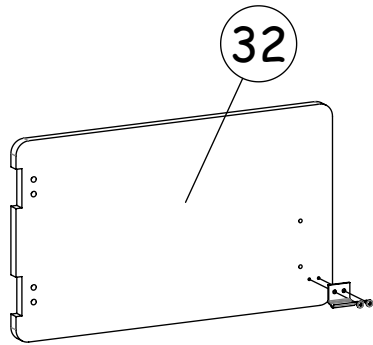
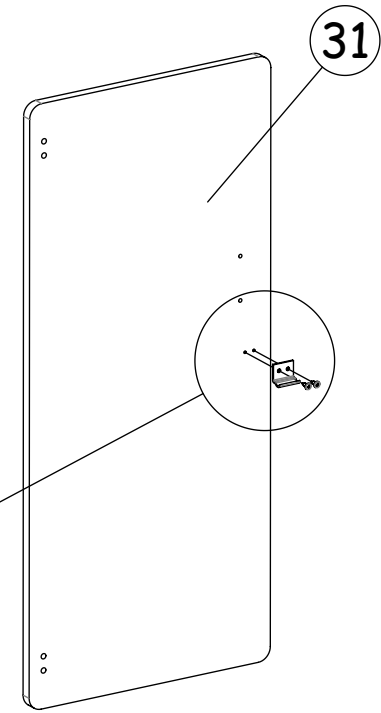
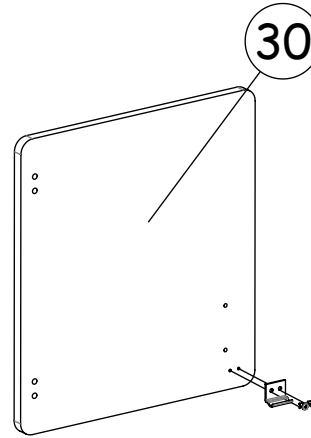
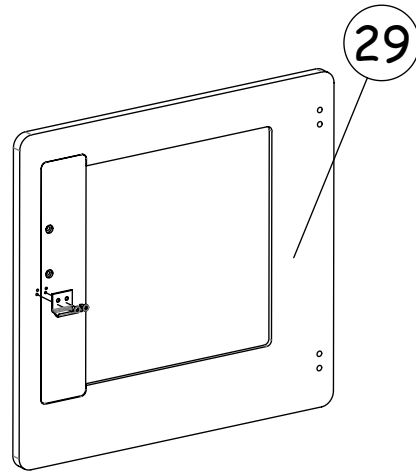
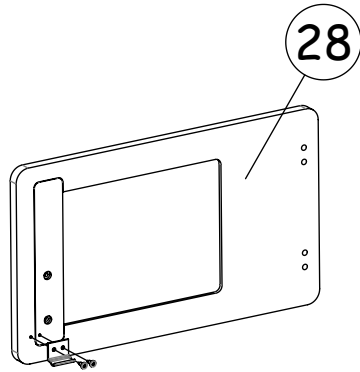


Package G

Deluxe Kitchen

Check when Done

STEP 16



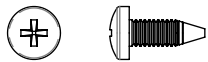
Attach a door latch #27 to the back of each of the 5 doors using 2 sheet metal screws (G) on each. Make sure that the curved part of the latch is closest to the bottom of each door as shown.

Do not over-tighten the screws.

Fasteners used in this step

Full Size

10 Sheet Metal Screws

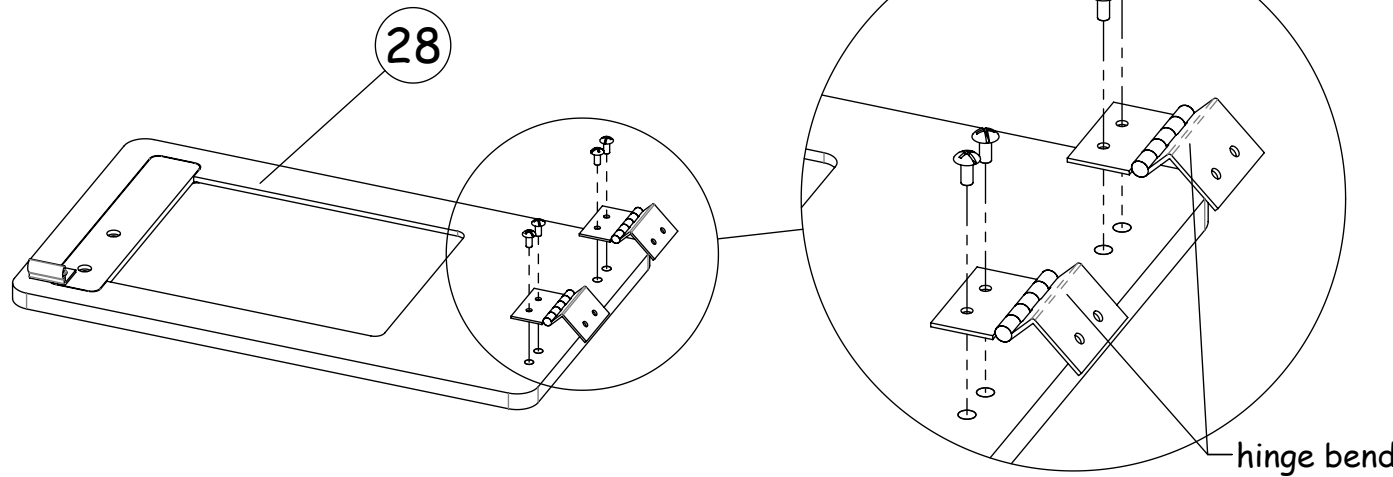


Package G

Deluxe Kitchen

Check when Done

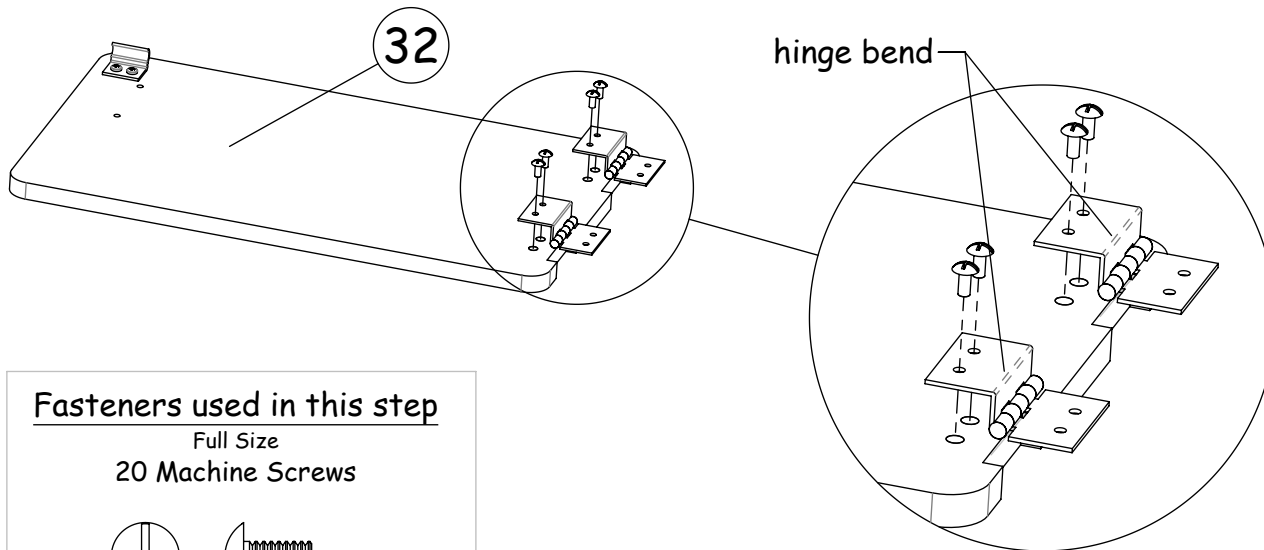
STEP 17



Attach 2 hinges with 2 screws (F) per hinge to the following doors:

- # 28
- # 29
- # 30
- # 31

Please note the location of the bend in the hinge.

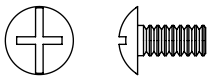


Attach 2 hinges to door #32 with 2 screws (F) per hinge.

This is the only door where the hinges are attached with the bend in this direction.

Fasteners used in this step

Full Size
20 Machine Screws



Package F

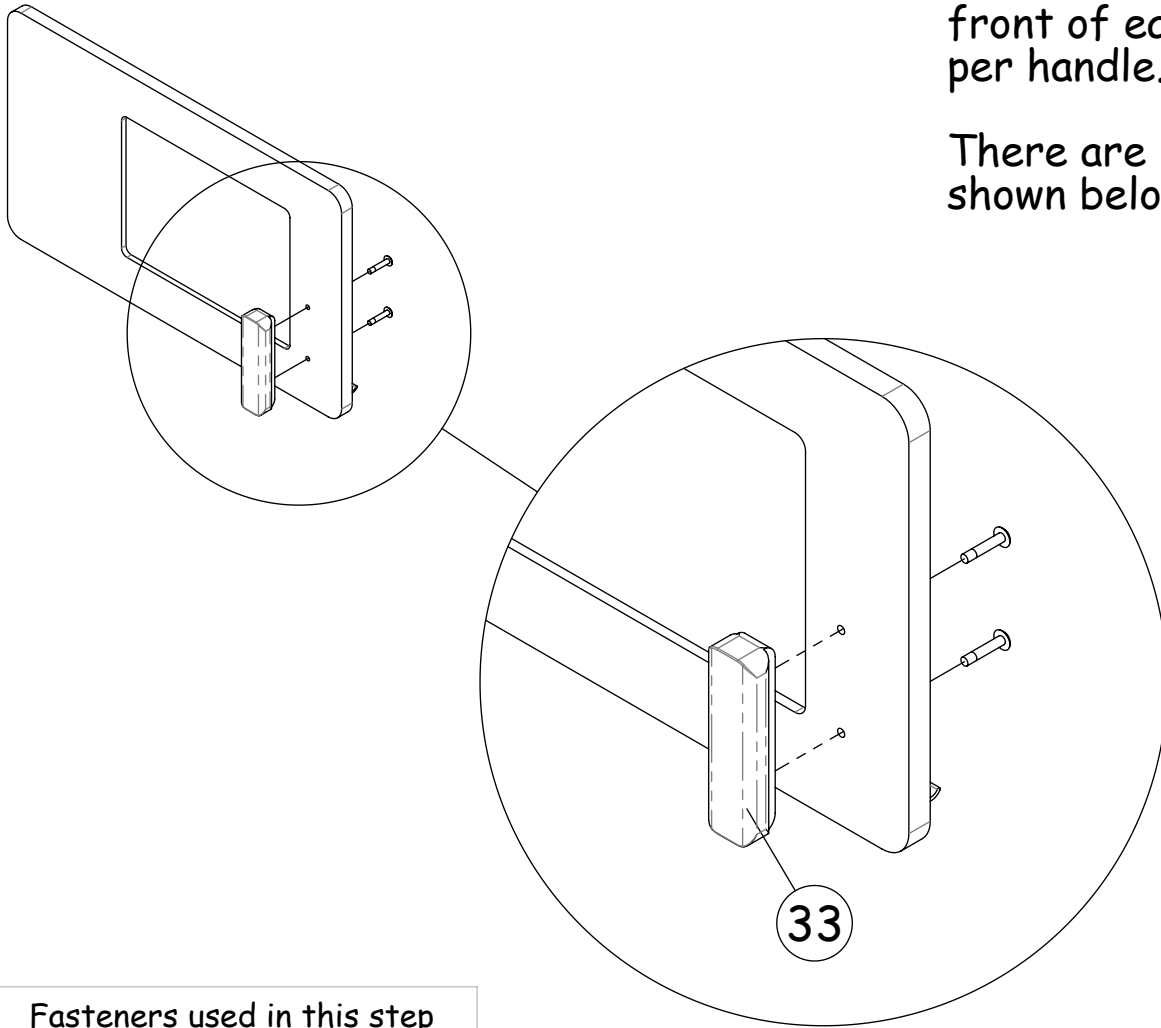
Deluxe Kitchen

Check when Done

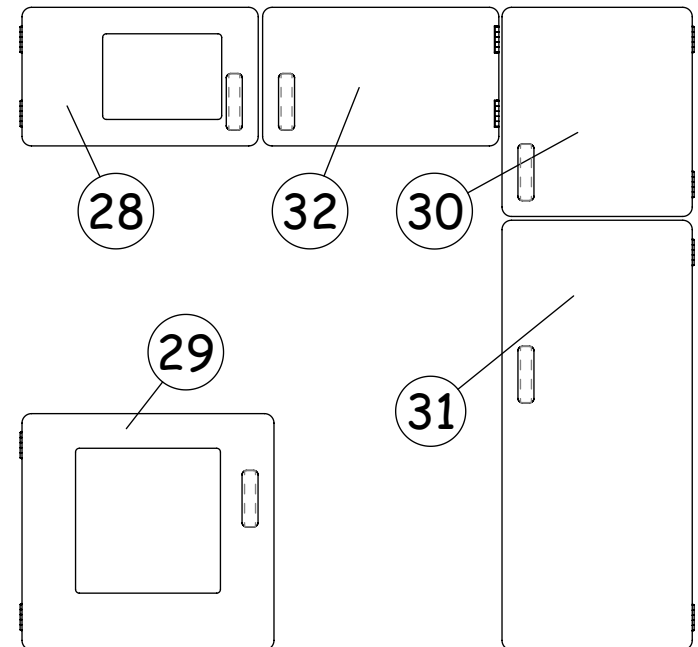
STEP 18

Attach door handle, part #33, as shown to the front of each door using 2 machine screws (E) per handle.

There are 5 doors that require handles, as shown below.



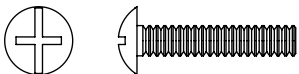
5 Doors that require handles



Fasteners used in this step

Full Size

10 Machine Screws



Package E

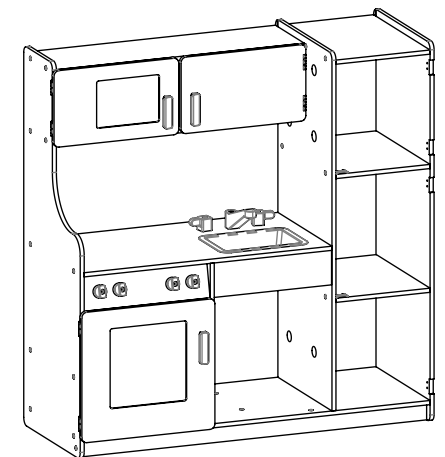
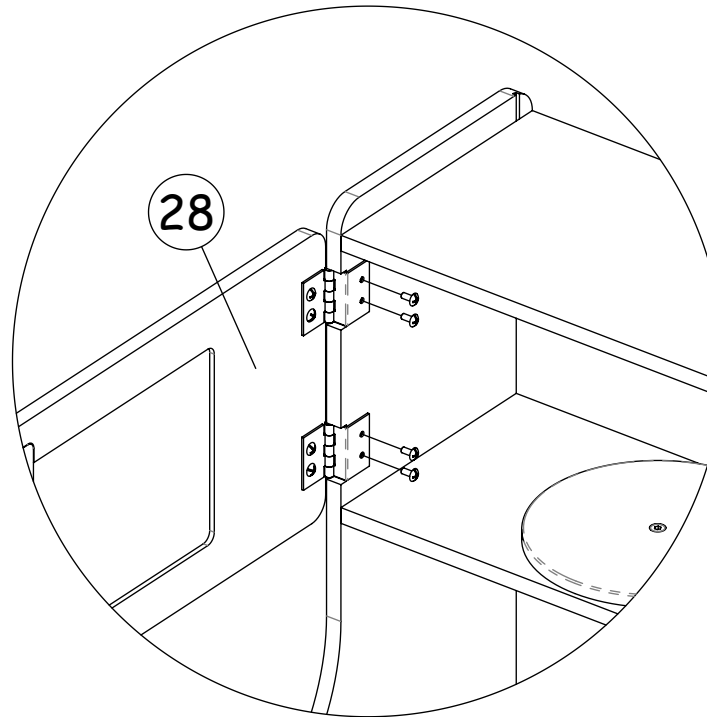
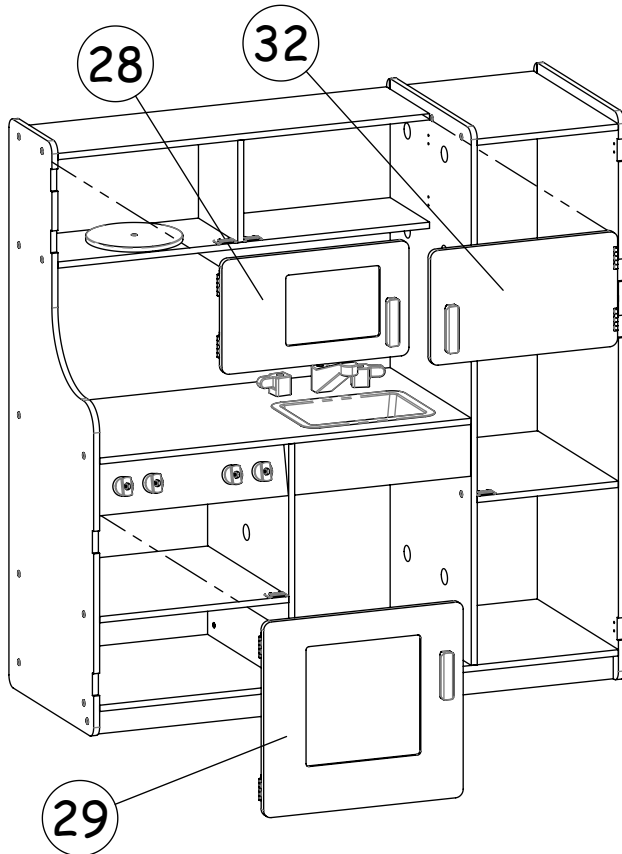
Deluxe Kitchen

Check when Done

STEP 19

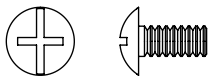
Attach the 3 doors #28, #29 and #32 using 2 machine screws (F) per hinge, with 2 hinges per door.

Use the illustration to attach each door in its proper location.



Fasteners used in this step

Full Size
12 Machine Screws



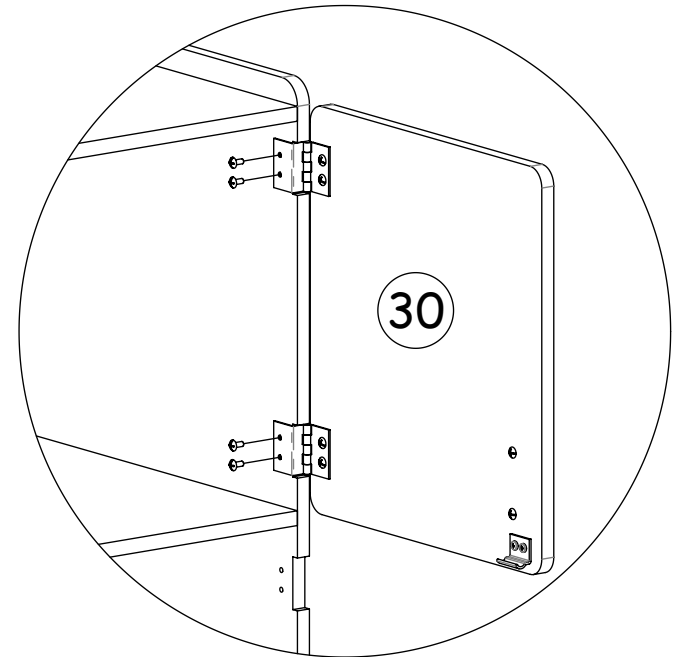
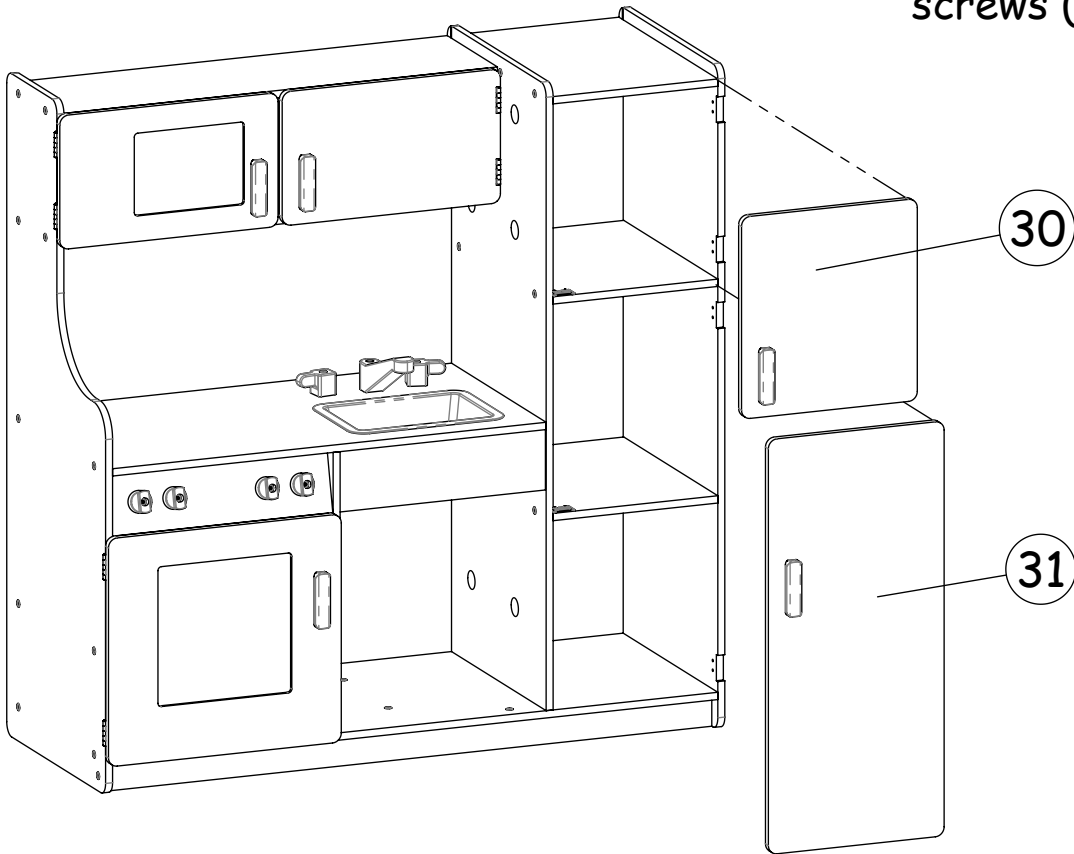
Package F

Deluxe Kitchen

Check when Done

STEP 20

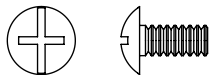
Attach doors #30 and #31 using 2 machine screws (F) per hinge in the locations shown.



Fasteners used in this step

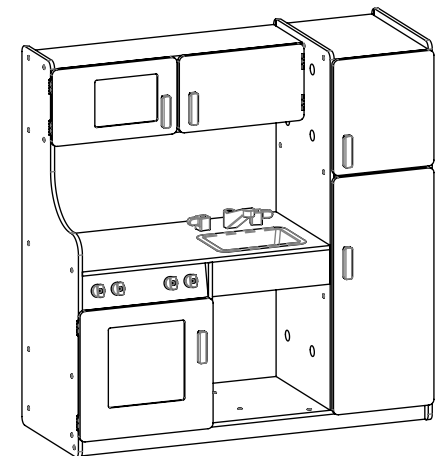
Full Size

8 Machine Screws



Package F

Congratulations,
your Deluxe Kitchen
is ready for play!



Assembled View