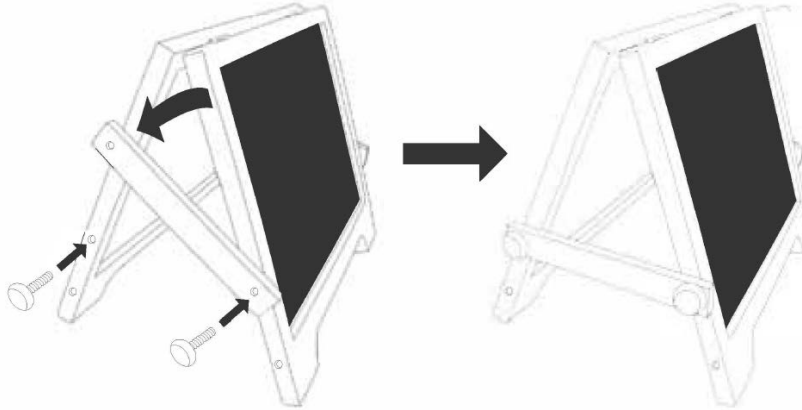


## Setting Up Your Tabletop Easel:

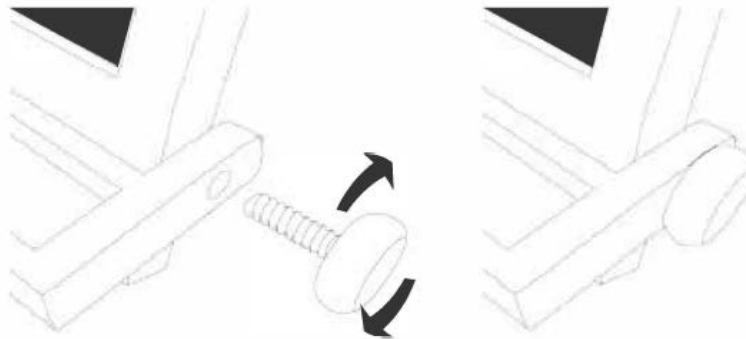
Melissa & Doug

1.



Begin by folding open the whiteboard and blackboard sides of the easel. Attach the two yellow arms, one on each side using four of the green bolts. Tighten all four bolts by rotating them clockwise.

2.



You will now need to attach the trays. The smaller yellow tray should be attached to the blackboard side of the easel, and the larger red tray should be attached to the whiteboard side. Both trays are connected using two of the eight included green screws. To attach a tray, simply align the holes on the side of the easel with those on the tray, and insert a screw into each hole by rotating it clockwise.

3.



**Congratulations! Your Tabletop Easel is now ready for you to begin your masterpieces. Remember that you can undo these steps and your easel will fold flat for easy storage.**

We care about your comments. Please call us!

Melissa & Doug

1-800-284-3948

www.MelissaAndDoug.com

Melissa & Doug products meet or exceed all U.S. toy testing standards and pass our high quality requirements.

© Melissa & Doug, LLC, P.O. Box 590, Westport, CT 06881

#1284

**WARNING:**  
CHOKING HAZARD - Small Parts.  
Not for children under 3 years.